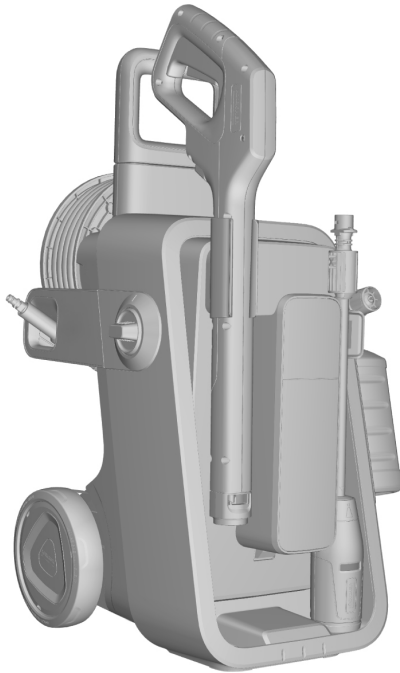


K 5 Comfort Premium
K 6 Comfort Premium

English
العربية

6
14



Read Online

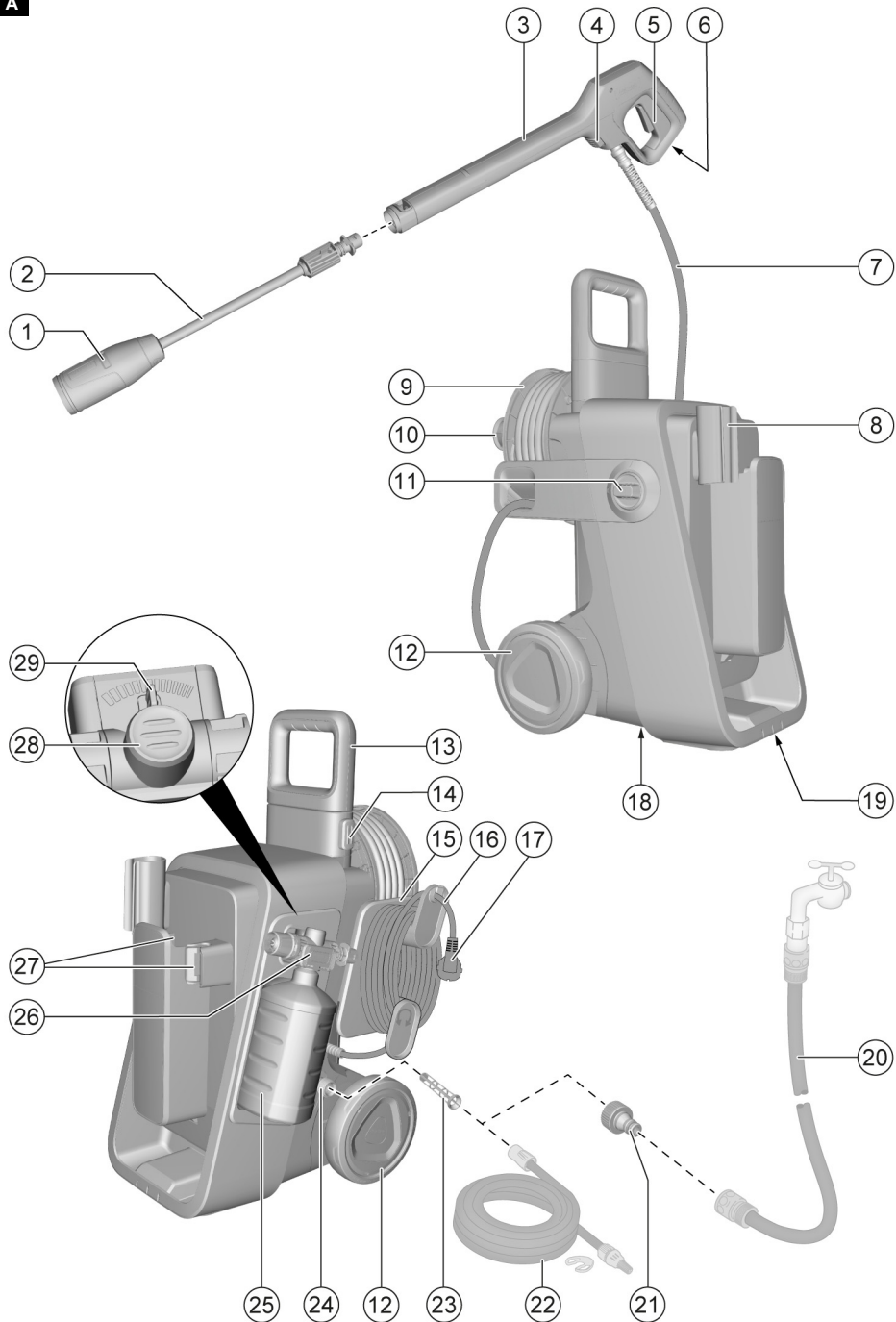


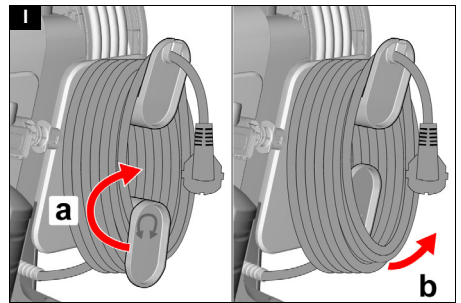
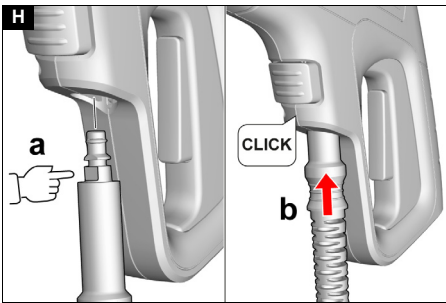
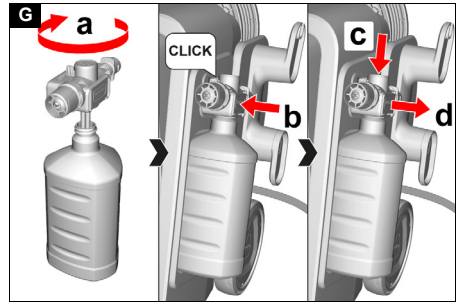
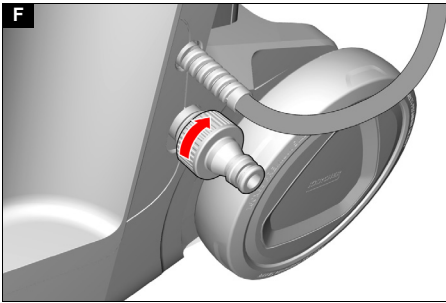
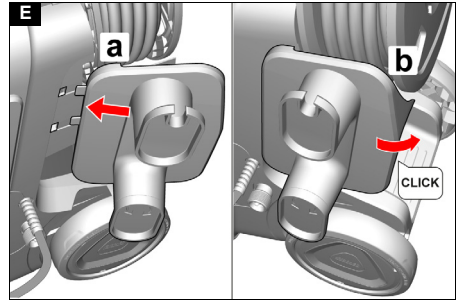
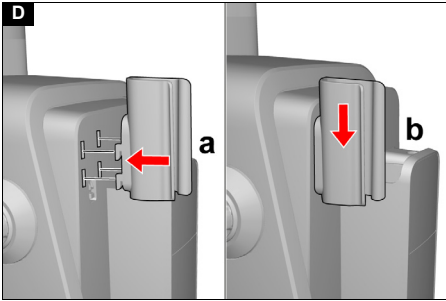
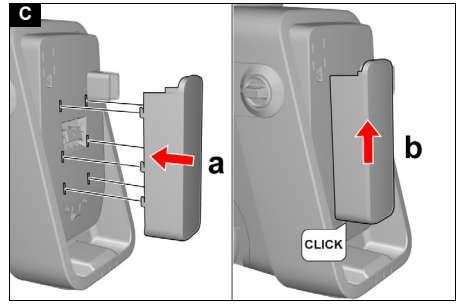
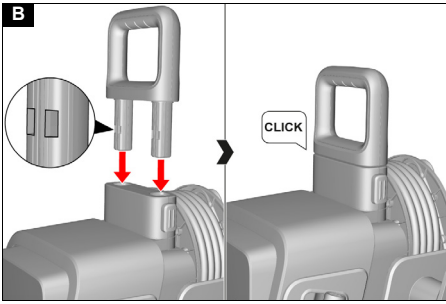
59803650 (11/25)

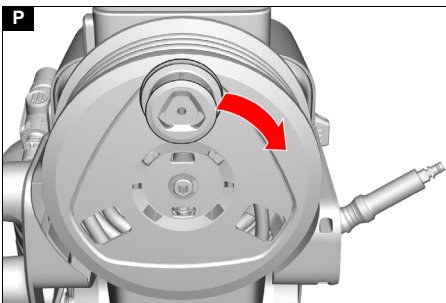
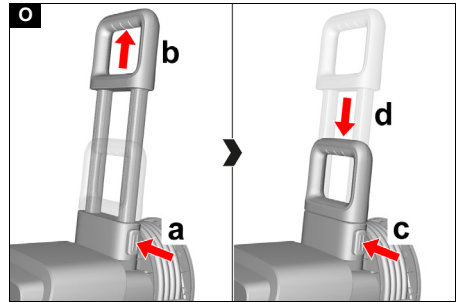
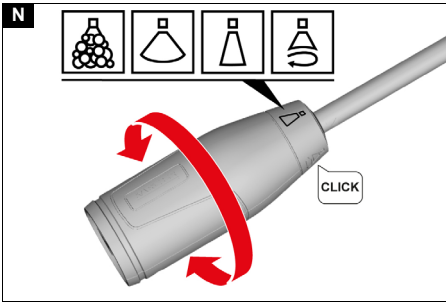
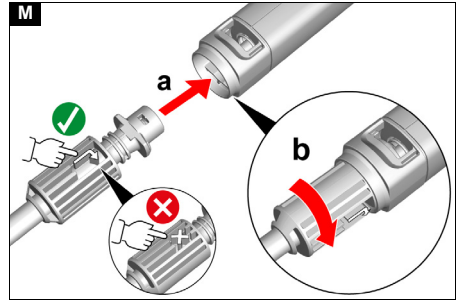
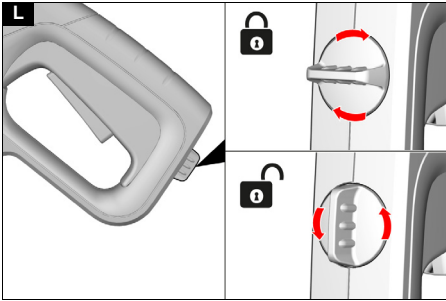
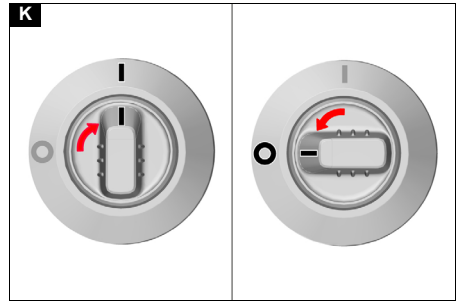
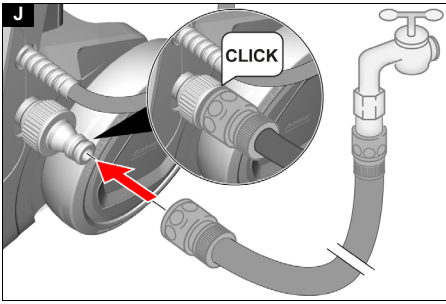


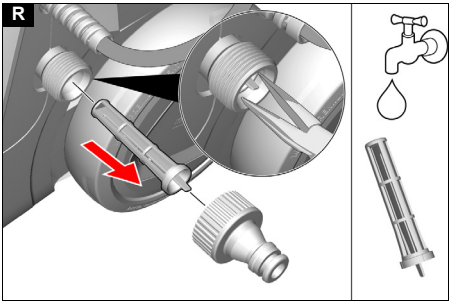
**Register
your product**
www.kaercher.com/register

A









Contents

KÄRCHER Home & Garden App	6
Safety instructions	6
Safety devices	7
Symbols on the device	7
Environmental protection	7
Intended use	8
Accessories and spare parts	8
Scope of delivery	8
Overview of the device	8
Mounting	8
Startup	8
Operation	9
Transport	10
Storage	11
Care and maintenance	11
Troubleshooting guide	11
Warranty	12
Declaration of Conformity	12
Technical data	13

KÄRCHER Home & Garden App

With the KÄRCHER Home & Garden app, you benefit from the following advantages when using your device:

- Application tips & expert knowledge
 - Product information, overview of accessories and operating instructions
 - Support and service contact
 - Online shop - exclusive offers and much more
- Scan the code on the packaging or download the KÄRCHER Home & Garden app from your app store and conveniently register your product.

Safety instructions



Read this safety chapter and these original instructions before using the device for the first time. Act in accordance with them. Keep the original instructions for future reference or for future owners.

- In addition to the notes in the operating instructions, you also need to take into consideration the general safety regulations and accident prevention guidelines applicable by law.
- Warnings and information notices attached to the device provide important information for hazard-free operation.

Hazard levels

⚠ DANGER

- Indication of an imminent threat of danger that will lead to severe injuries or even death.

⚠ WARNING

- Indication of a potentially dangerous situation that may lead to severe injuries or even death.

⚠ CAUTION

- Indication of a potentially dangerous situation that may lead to minor injuries.

ATTENTION

- Indication of a potentially dangerous situation that may lead to damage to property.

Operation

⚠ DANGER • Operation in explosive atmospheres is prohibited. • Never suction solvents, liquids containing solvents or undiluted acids. This includes e.g. petrol, paint thinner or heating oil. The spray mist is highly flammable, explosive and poisonous. • Damaged wheels / tyre valves are extremely dangerous. Damaged wheels / tyre valves can be damaged by the high-pressure jet and explode. The first sign of this is discolouration of the tyres. Keep a spray distance of at least 30 cm when cleaning the wheels / tyre valves.

⚠ WARNING • Do not use the device if people without the proper protective clothing are in its reach. • Do not aim the high-pressure jet at yourself, e.g. to clean clothes or shoes. • Do not direct the high-pressure jet at persons, animals, live electrical equipment or at the device itself. • Do not spray any objects which contain harmful substances (e.g. asbestos). • Check the device and the accessories, such as the high-pressure hose, high-pressure gun and safety devices, to make sure they are in proper safe and reliable condition before each operation. Do not use the device if it is damaged. Replace damaged components immediately. • Only use high-pressure hoses, control panels and couplings specified by the manufacturer. • Risk of scalding. When disconnecting the supply or high-pressure hose, hot water can leak out of the connections after operation.

⚠ CAUTION • According to the applicable regulations, the appliance may never be used with the drinking water network without a system separator. Ensure that the connection to your house water system, with which the high-pressure cleaner is operated, is equipped with a system separator according to EN 12729 type BA. • Water that has flowed through a system separator is no longer classified as drinkable. • Never leave the device unsupervised while it is in operation. • Recoil force from the water stream emerging at the high-pressure nozzle acts on the high-pressure gun. Keep proper footing and hold the high-pressure gun and spray lance firmly. • Accidents or damage due to the device falling over. Before all actions with or on the device, you must make sure that it is stable.

ATTENTION • Do not operate the device at temperatures below 0 °C.

Protective gear

⚠ CAUTION • Wear suitable protective clothing and safety goggles to protect yourself from water or dirt backsplash. • Aerosols can be formed when using high-pressure cleaners. Inhaling aerosols can be harmful for your health. Depending on the application, the use of fully shielded nozzles (e.g. surface cleaners) can significantly lower the emission of aqueous aerosols. Depending on the environment to be cleaned, wear a suitable respiratory protective mask of class FFP 2 or comparable to protect yourself from inhaling aerosols if the use of a fully shielded nozzle is not possible.

Risk of electric shock

⚠ DANGER • Only connect protection class I devices to properly earthed power sources. • Only connect the device to alternating current. The voltage indicated on the type plate must match the voltage of the power source. • Only operate the device via a fault current protection switch (maximum 30 mA). • Never

touch the mains plug and socket with wet hands. ● The mains plug and coupling of the extension cable must be water tight and may not be placed in water. The coupling may not be on the floor. Use cable drums to ensure that the sockets are at least 60 mm above the floor. ● All live parts in the work area must be protected against water jets.

⚠ WARNING ● Only connect the device to an electrical connection which has been set up by a qualified electrician as per IEC 60364-1. ● Check that the mains connection cable with mains plug is undamaged each time before using the device. To avoid any possible danger, a damaged mains connection cable must be immediately replaced by the manufacturer, or the authorised customer service department or a qualified electrician. ● Do not damage the power supply and extension cable by running over it, crushing or yanking it or similar. Protect the power supply cable from heat, oil and sharp edges. ● Unsuitable electrical extension cables are dangerous. Only use approved and appropriately marked electrical extension cables with a sufficient line cross section when outdoors: 1-10 m : 1.5 mm², 10-30 m : 2.5 mm²

⚠ CAUTION ● Always fully unwind the extension cable from the cable drum. ● In case of longer breaks in operation and after use, switch off the device at the main switch / device switch and pull the mains plug.

Operation with detergent

⚠ WARNING ● Incorrect use of detergents can cause serious injuries or poisoning.

⚠ CAUTION ● Keep the detergent out of the reach of children. ● Only use the detergents supplied or specified by the manufacturer. The use of other detergents or chemicals can impair the safety of the device.

Care and service

⚠ WARNING ● Always pull out the mains plug before all care and maintenance work.

⚠ CAUTION ● Have repair work and work on electrical components carried out by the authorised customer service only.

ATTENTION ● Do not use acetone, undiluted acids or solvents, as they corrode the materials used on the device.

Transportation

⚠ CAUTION

● Risk of accidents and injuries. Take into account the weight of the device for transportation and storage. See chapter Technical data in the operating instructions.

General safety instructions

⚠ DANGER ● Risk of asphyxiation. Keep packaging film out of the reach of children.

⚠ WARNING ● Only use the device for its proper use. Take into account the local conditions and beware of third parties, in particular children, when working with the device. ● Persons with reduced physical, sensory or mental capabilities and persons lacking experience and knowledge may only use the appliance if they are properly supervised, have been instructed on use of the appliance safely by a person responsible for their safety, and understand the resultant hazards involved.

● Children must not operate the device. ● Children must be supervised to prevent them from playing with the appliance.

⚠ CAUTION ● Safety devices are provided for your own protection. Never modify or bypass safety devices.

Safety devices

⚠ WARNING

Danger of injury!

Serious injuries due to missing, modified or ineffective safety devices.

Do not bypass or remove the safety devices and do not render them ineffective. Safety devices are provided for your own protection.

Power switch

The power switch prevents unintentional operation of the device.

Trigger locking button

The trigger locking button blocks the trigger and prevents the device from switching on unintentionally.

Auto-stop function

If the trigger of the high-pressure pump is released, the pressure switch turns off the pump and the high-pressure jet is stopped. The high-pressure pump switches on again when the trigger is pulled.

Motor circuit breaker

The motor circuit breaker shuts off the device if power consumption is too high.

Symbols on the device



Do not aim the high-pressure jet may at persons, animals, live electrical equipment or the device itself.

Protect the device against frost.



The device may not be connected to the public drinking water network.


Environmental protection





The packing materials can be recycled. Please dispose of packaging in accordance with the environmental regulations.



Electrical and electronic devices contain valuable, recyclable materials and often components such as batteries, rechargeable batteries or oil, which - if handled or disposed of incorrectly - can pose a potential danger to human health and the environment. However, these components are required for the correct operation of the device. Devices marked by this symbol are not allowed to be disposed of together with the household rubbish.

 Cleaning work producing in oily waste water, e.g. washing engines, washing undercarriages etc., may only be performed at washing stations with an oil separator.

 Working with detergents may only be performed on watertight surfaces with connection to the waste water sewage system. Do not allow detergent to enter waterways or the soil.

 Extraction of water from public waterways is not permitted in some countries.

Notes on the content materials (REACH)

Current information on content materials can be found at: www.kaercher.de/REACH

Intended use

Use the high-pressure cleaner in private households only.

The high-pressure cleaner is intended for cleaning machines, vehicles, buildings, tools, façades, terraces, garden machines etc. using a high-pressure water jet.

Accessories and spare parts

Only use original accessories and original spare parts. They ensure that the appliance will run fault-free and safely.

Information on accessories and spare parts can be found at www.kaercher.com.

Scope of delivery

The scope of delivery for the appliance is shown on the packaging. Check the contents for completeness when unpacking. If any accessories are missing or in the event of any shipping damage, please notify your dealer.

Overview of the device

For illustrations, refer to the graphics pages
Illustrations are examples, details may vary
Illustration A

- ① Jet nozzle head
- ② Spray lance
- ③ High-pressure gun
- ④ High-pressure hose release button
- ⑤ Trigger
- ⑥ Trigger locking button
- ⑦ High-pressure hose
- ⑧ High-pressure gun holder
- ⑨ High-pressure hose drum
- ⑩ Crank handle
- ⑪ Power switch
- ⑫ Wheel
- ⑬ Telescopic handle
- ⑭ Telescopic handle unlocking button
- ⑮ Mains cable holder
- ⑯ Mains cable
- ⑰ Mains plug
- ⑱ Type plate
- ⑲ Carrying handle
- ⑳ * Garden hose
- ㉑ Coupling for the water connection
- ㉒ ** KÄRCHER suction hose
- ㉓ Screen
- ㉔ Water connection
- ㉕ Detergent bottle

- ㉖ Foam nozzle
- ㉗ Spray wand holder
- ㉘ Foam nozzle release button
- ㉙ Foam dosing lever

* additionally required

** optionally available

Mounting

For the figures, please refer to the graphics page.
Fit the supplied loose parts onto the device before starting up the device.

Installing the telescopic handle

1. Insert the telescopic handle into the device until it audibly clicks into place.

Illustration B

Mounting the spray lance holder

1. Mounting the spray lance holder:
 - a Insert the spray lance holder into the openings on the device and
 - b press upwards until you hear it click into place.

Illustration C

Installing the high-pressure gun holder

1. Installing the high-pressure gun holder:
 - a Insert the high-pressure gun holder into the openings on the device and
 - b press downwards until it clicks into place.

Illustration D

Installing the mains cable holder

1. Installing the mains cable holder:
 - a Insert the mains cable holder into the openings on the device and
 - b fold it into the device until you hear it click into place.

Illustration E

Installing the water connection coupling

1. Screw the water connection coupling onto the water connection on the device.

Illustration F

Installing the foam nozzle on the device

1. Screw the foam nozzle onto the detergent bottle.
- Illustration G
2. Snap the foam nozzle into place on the device.
3. To remove, press the foam nozzle release button and remove the foam nozzle from the device.

Startup

1. Place the device on a level, horizontal surface.

ATTENTION

Risk of damage during operation with wound-up high-pressure hose!

Damage on the high-pressure hose.

Unwind the high-pressure hose completely and lay it out without knots, loops or twists before operating the device.

2. Pull the high-pressure hose to fully unwind it from the hose reel.
3. Lay out the high-pressure hose without knots, loops or twists.
4. Mount the high-pressure hose on the high-pressure gun.

- a Align the high-pressure hose and
- b insert it into the high-pressure gun until it audibly clicks into place.

Illustration H

- 5. Check the secure connection by pulling on the high-pressure hose.
- 6. Unwind the power cord completely.

Illustration I

- 7. Insert the mains plug into a mains socket.

Connecting the water supply

ATTENTION

Risk of damage through contaminated water!

Contamination in the water can damage the high-pressure pump and accessories.

Operate the device only with clear fresh water without contamination or additives.

Never use contaminated water, waste water or salt water.

Kärcher recommends using the optional Kärcher water filter.

- 1. Check the pressure, temperature and quantity of the supply water for compliance with the requirements, see *Technical data*.

Note

Observe the water distribution company regulations.

Connection to the water line

ATTENTION

Risk of damage when using hose couplings made of brass with AquaStop function from third-party suppliers.

Damage to the high-pressure pump.

Only use hose couplings with/without AquaStop function from Kärcher, hose couplings without AquaStop function or hose couplings made of plastic with AquaStop function from third-party suppliers.

- 1. Plug the garden hose onto the water connection coupling.

Note

Reinforced garden hose required: minimum diameter 1/2 inch (13 mm), minimum length 7.5 m, with standard quick coupling.

Illustration J

- 2. Connect the garden hose to the water line.
- 3. Open the water tap completely.

Suctioning water from the containers

This device with the KÄRCHER suction hose is suitable for sucking water from e.g. water butts or ponds (for maximum suction height, see *Technical data*).

- 1. Unscrew the coupling on the water connection.
- 2. Fill the KÄRCHER suction hose with water.
- 3. Screw the KÄRCHER suction hose onto the water connection of the device and hang it in a water source.

Vent the device

Note

To vent the device, do not fit the spray lance or foam nozzle to the high-pressure gun.

- 1. Switch on the device by turning the device switch to the "I" position.
To switch off the device, turn the device switch to the "0" position.

Illustration K

- 2. Unlocking the trigger.

Illustration L

- 3. Actuate the trigger.
The device switches on.
- 4. Allow the device for run a maximum of 2 minutes until the water escaping from the high-pressure gun is free of air bubbles.

Note

If the foam nozzle is fitted to the device, detergent is added.

- 5. Release the trigger.
- 6. Lock the trigger.

Operation

⚠ CAUTION

Risk of injury from escaping water under high pressure!

Injuries

Only disconnect the high-pressure hose from the high-pressure gun or the device if there is no pressure in the system.

ATTENTION

Risk of damage due to the pump running dry!

Pump damage

Switch off the device if it does not build up pressure within 2 minutes.

*Proceed according to the instructions in *Troubleshooting guide*.*

Set spray type

- 1. Lock the trigger.
- 2. Align the spray lance and insert it into the high-pressure gun and lock it into position by turning it 90°.

Illustration M

ATTENTION

Risk of damage if the jet nozzle head is turned during operation!

Damage to the spray lance

Release the trigger before turning the jet nozzle head.




- 3. Turn the jet nozzle head to set a suitable spray type for the cleaning task and the object.


The corresponding pictogram must point upwards.

Illustration N

Note

The sensitivity of materials can vary greatly depending on age and condition. The recommendations are therefore not binding.

Pictogram	Spray form and pressure	Recommended fore.g.
	Detergent spray with low pressure	All surfaces suitable for use with detergents
	Wide flat stream with medium pressure	Car/motorcycle, bicycles, brick / sandstone surfaces, plastered walls, wood surfaces, plastic/rattan furniture
	Narrow flat stream with high pressure	Stone tiles, asphalt, metal surfaces, garden utensils (wheelbarrow, spade, etc.)

Pictogram	Spray form and pressure	Recommended fore.g.
	Rotary jet with maximum pressure	Particularly stubborn dirt on stone tiles, asphalt, metal surfaces, garden tools (wheelbarrow, spade, etc.)

Operation with detergent

⚠ DANGER

Health hazards due to detergents!

Serious damage to health

Observe the detergent manufacturer's safety data sheet.

Wear the prescribed personal protective gear.

ATTENTION

Risk of damage from unsuitable detergents!

Material damage

Only use detergents that have been approved by Kärcher and are suitable for the objects to be cleaned.

Observe the safety instructions, dosage recommendations and notes enclosed with the detergents.

Use detergents sparingly.

ATTENTION

Risk of damage due to detergents acting too long and drying out!

Material damage

Do not apply detergent to hot surfaces and observe the maximum contact time.

Do not allow detergent to dry on the surfaces being cleaned.

Note

KÄRCHER detergents ensure fault-free, effective operation. Please ask us for advice and observe our catalog or our detergent information sheets.

- The detergent can be mixed in or applied with the foam nozzle.

Mixing

- Install the foam nozzle on the device.
The position of the foam dosing lever is not important.
- Adjust the detergent spray at the jet nozzle head, see *Set spray type*.
The detergent is mixed into the water stream during operation.

Using the foam nozzle

- Remove the foam nozzle from the device and install it on the high-pressure gun instead of the spray lance.
Use the foam dosing lever to set the desired amount of foam.
- Unlocking the trigger.
 - Pull the trigger and spray the detergent sparingly onto the dry surfaces.
 - Allow the detergent to act (not to dry).
 - Rinse off the loosened dirt using an appropriate spray type, see *Operation without detergent*.

Operation without detergent

ATTENTION

Risk of damage due to too close a spray distance or inappropriate spray type!

Damage to painted or sensitive surfaces.

Keep at least 30 cm spray distance when cleaning painted surfaces.

Do not clean car tires, paint or delicate surfaces such as wood with the rotary jet.

- Set a suitable spray type for the cleaning task and the object, see *Set spray type*.
- Unlocking the trigger.
- Pull the trigger and carry out the cleaning process.

Interrupting operation

- Release the trigger.
The device stops. The high-pressure in the system is maintained.
- Lock the trigger.
- Place the high-pressure gun in the high-pressure gun holder.
- For work breaks longer than 5 minutes, switch off the device.

Ending operation

⚠ CAUTION

Risk of injury from escaping water under high pressure!

Injuries

Only disconnect the high-pressure hose from the high-pressure gun or the device if there is no pressure in the system.

ATTENTION

Risk of damage due to frost!

Material damage

Empty the water completely from the device and accessories.

Always protect the device and accessories from frost.

- Release the trigger.
- Lock the trigger.
- Close the water tap.
- Disconnect the device from the water supply.
- Unlocking the trigger.
- Actuate the trigger for a maximum of 1 minute, until no more water escapes.
The pressure in the system is released.
The water is pumped out of the device to prevent frost damage.
- Release the trigger.
- Lock the trigger.
- Switch off the device.
- Pull the mains plug out of the mains socket.
- Dismantle the accessories, empty them and stow them on the device, see *Storing the device*.

Transport

⚠ CAUTION

Risk of injury or damage due to the weight of the device!

Injury and damage.

Be aware of the weight of the device during transport and storage.

ATTENTION

Risk of damage due to leaking detergent!

Material damage

Always transport and store the detergent bottle with the foam nozzle fitted upright, not lying down.

Transporting the device

Pulling/pushing the device

- Unlock the telescopic handle and pull upwards until it engages.

Illustration O

- Tilt the device onto the wheels and pull or push it.

Carrying the device

3. Unlock the telescopic handle and slide it together.
4. Lift up and carry the device by the telescopic handle and the carrying handle.

Transporting the device in a vehicle

5. Secure the device against slipping and tipping over.

Storage

⚠ CAUTION

Risk of injury or damage due to the weight of the device!

Injury and damage.

Be aware of the weight of the device during transport and storage.

ATTENTION

Risk of damage due to leaking detergent!

Material damage

Always transport and store the detergent bottle with the foam nozzle fitted upright, not lying down.

Storing the device

⚠ CAUTION

Risk of injury from escaping water under high pressure!

Injuries

Only disconnect the high-pressure hose from the high-pressure gun or the device if there is no pressure in the system.

1. Finish operation, see *Ending operation*.
2. Remove the spray wand from the high-pressure gun.
3. Engage or place the spray lance on a spray lance holder.
4. Press the high-pressure hose release button and pull off the high-pressure hose on the high-pressure gun.
5. Let the water drain from the high-pressure gun.
6. Place the high-pressure gun in the high-pressure gun holder.

ATTENTION

Risk of damage if wound in the wrong direction!

Damage on the high-pressure hose

Only turn the high-pressure hose drum in the specified direction.

7. Turn the crank handle clockwise to wind up the high-pressure hose.

Illustration P

8. Store the power cable on the power cable holder.

Illustration Q

Observe the additional notes before storing the device for a long period of time, see *Care and maintenance*.

Frost protection

ATTENTION

Risk of damage due to frost!

Material damage

Empty the water completely from the device and accessories.

Always protect the device and accessories from frost.

1. Pump the water out of the device, see *Ending operation*.
2. Dismantle the accessories and drain the water, see *Storing the device*.
3. Store the device accessories and keep them in a frost-proof room, see *Storing the device*

Care and maintenance

⚠ DANGER

Danger of death!

Fatal injuries due to electric shock when touching live parts.

Do not touch any live parts.

Switch off the device.

Pull the mains plug out of the mains socket.

The device is maintenance-free, i.e. you do not need to perform periodic maintenance work.

Clean the sieve in the water connection

ATTENTION

Risk of damage due to missing or damaged sieve!

Damage to the high-pressure pump

Do not operate the device without a sieve.

Do not clean the sieve with hard, pointed objects.

Clean the sieve in the water connection if necessary.

1. Unscrew the coupling on the water connection.
2. Pull out the sieve.

Illustration R

3. Clean the sieve under running water.
4. Insert the sieve into the water connection.

Troubleshooting guide

Malfunctions often have simple causes that you can remedy yourself using the following overview. When in doubt, or in the case of malfunctions not mentioned here, please contact your authorized Customer Service.

⚠ DANGER

Danger of death!

Fatal injuries due to electric shock when touching live parts.

Do not touch any live parts.

Switch off the device.

Pull the mains plug out of the mains socket.

Device is not running

The voltage supply is interrupted.

1. Check that the mains plug is plugged in.
2. Switch the device on.
3. Unlock and actuate the trigger.
The device starts up, otherwise:
4. Check if the voltage specified on the type plate matches the voltage of the power source.
5. Unplug the mains plug from the mains socket and inspect the mains cable and mains plug for damage.
A damaged power cord must be replaced promptly by an authorized Customer Service.

The motor circuit breaker is active.

1. If the motor is overloaded, the motor circuit breaker switches the device off.
2. Switch off the device.
3. Allow the device to cool off for 1 hour.
4. Switch on the device and put it into operation.
If the fault occurs several times, have the device checked by Customer Service.

Detergent is not sucked in

An unsuitable spray type is set.

1. Turn the jet nozzle head to the "detergent spray" position.

The foam nozzle with the detergent bottle is not installed on the device.

1. Install the foam nozzle with the filled detergent bottle on the device.

The detergent bottle is empty.

1. Install a full bottle of detergent.

The device does not reach required pressure

An unsuitable spray type is set on the jet nozzle head.

1. Set a spray type with a high-pressure jet.

The water supply is too low.

1. Open the water tap completely.
2. Check the water inlet for sufficient flow rate.
3. Lay the garden hose without kinks.
4. Make sure that the maximum suction height is not exceeded.

The sieve in the water connection is contaminated.

1. Clean the sieve in the water connection.

There's air in the device.

1. Vent the device.

Strong pressure fluctuations

The jet nozzle in the jet nozzle head is dirty.

1. Clean the jet nozzle from the front using a needle and flush it through.

The water supply quantity is too low.

1. Open the water tap completely.
2. Lay the garden hose without kinks.
3. Clean the sieve in the water connection.
4. Check the water supply quantity and increase if necessary.

Device leaking

The device leaks a small amount for technical reasons.

1. In case of severe leakage, contact the authorized Customer Service.

Warranty

The warranty conditions issued by our relevant sales company apply in all countries. We shall remedy possible malfunctions on your appliance within the warranty period free of cost, provided that a material or manufacturing flaw is the cause. In a warranty case, please contact your dealer (with the purchase receipt) or the next authorised customer service site.

(See overleaf for the address)

Further warranty information (if available) can be found in the service area of your local Kärcher website under "Downloads".

Declaration of Conformity

EU Declaration of Conformity

We hereby declare that the product named below complies with the relevant provisions of the directives and regulations listed. This declaration is invalidated by any changes made to the product that are not approved by us. The manufacturer shall bear sole responsibility for issuing of this declaration of conformity.

Product: High-pressure cleaner

Type: K 4 Comfort Premium,

K 5 Comfort Premium,

K 6 Comfort Premium

Directives and Regulations

2000/14/EC

2006/42/EC (+2009/127/EC)

2011/65/EU

2014/30/EU

2009/125/EC

Commission Regulation(s)

(EU) 2019/1781

Harmonised standards used

EN 60335-1

EN 60335-2-79

EN 62233: 2008

EN 55014-1: 2017 + A11: 2020

EN 55014-2: 1997 + A1: 2001 + A2: 2008

EN 61000-3-2: 2014

EN 61000-3-3: 2013

EN IEC 63000: 2018

Conformity evaluation procedure used

2000/14/EC: Annex V

Sound power level dB(A)

K 4 Comfort Premium

Measured: 85

Guaranteed: 88

K 5 Comfort Premium

Measured: 87

Guaranteed: 90

K 5 Comfort Premium (GB),

K 6 Comfort Premium

Measured: 90

Guaranteed: 93

Name and address

Documentation supervisor:

S. Reiser

Alfred Kärcher SE & Co. KG

Alfred-Kärcher-Str. 28 - 40

71364 Winnenden (Germany)

Tel.: +49 7195 14-0

Fax: +49 7195 14-2212



H. Jenner

Chairman of the Board of Management



S. Reiser

Manager Regulatory Affairs & Certification

Winnenden, 2025/09/01

The undersigned act on behalf of and with the authority of the Board of Directors.

Alfred Kärcher SE & Co. KG

Alfred-Kärcher-Str. 28 - 40

71364 Winnenden (Germany)

Ph.: +49 7195 14-0

Fax: +49 7195 14-2212

Declaration of Conformity (UK)

We hereby declare that the product named below complies with the relevant provisions of the directives and regulations listed. This declaration is invalidated by any changes made to the product that are not approved by us. The manufacturer shall bear sole responsibility for issuing of this declaration of conformity.

Product: High-pressure cleaner

Type: K 4 Comfort Premium,

K 5 Comfort Premium,

K 6 Comfort Premium

Directives and Regulations

S.I. 2001/1701 (as amended)

S.I. 2008/1597 (as amended)

S.I. 2012/3032 (as amended)

S.I. 2016/1091 (as amended)

S.I. 2010/2617 (as amended)

Commission Regulation(s)

(EU) 2019/1781

Designated standards used

EN 60335-1

EN 60335-2-79

EN 62233: 2008

EN 55014-1: 2017 + A11: 2020

EN 55014-2: 1997 + A1: 2001 + A2: 2008

EN 61000-3-2: 2014

EN 61000-3-3: 2013
EN IEC 63000: 2018

Applied conformity assessment procedure

S.I. 2001/1701 (as amended): Schedule 8

Sound power level dB(A)

K 4 Comfort Premium

Measured: 85

Guaranteed: 88

K 5 Comfort Premium

Measured: 87

Guaranteed: 90

K 5 Comfort Premium (GB),

K 6 Comfort Premium

Measured: 90

Guaranteed: 93

Name and address

Documentation supervisor:

S. Reiser

Alfred Kärcher SE & Co. KG

Alfred-Kärcher-Str. 28 - 40

71364 Winnenden (Germany)

Tel.: +49 7195 14-0

Fax: +49 7195 14-2212



H. Jenner

Chairman of the Board of Management



S. Reiser

Manager Regulatory Affairs & Certification

Winnenden, 2025/09/01

The undersigned act on behalf of and with the authority
of the Board of Directors.

Alfred Kärcher SE & Co. KG

Alfred-Kärcher-Str. 28 - 40

71364 Winnenden (Germany)

Ph.: +49 7195 14-0

Fax: +49 7195 14-2212

Technical data

		K 5 Comfort Premium	K 6 Comfort Premium
Electrical connection			
Voltage	V	230-240	230-240
Phase	~	1	1
Frequency	Hz	50	50
Current consumption	A	9,1	9,6
Protection type		IPX5	IPX5
Protection class		I	I
Power protection (slow- blowing)	A	13	13
Water connection			
Feed pressure (max.)	MPa	1,2	1,2
Input temperature (max.)	°C	40	40
Input amount (min.)	l/min	9	9
Suction height (max.)	m	0,5	0,5
Device performance data			
Operating pressure	MPa	12	12,5
Max. permissible pres- sure	MPa	14,5	16
Water flow rate	l/min	7,5	7,5
Detergent flow rate	l/min	0,3	0,3
High-pressure gun recoil force	N	17	17
Dimensions and weights			
Typical operating weight	kg	16,8	16,8
Length	mm	417	417
Width	mm	346	346
Amount	mm	668	668
Values determined in accordance with EN 60335-2- 79			
Hand-arm vibration value a_{hv}	m/s^2	1,1	1,1
Uncertainty K	m/s^2	0,6	0,6
Sound level L_{pA}	dB(A)	77	77
Uncertainty K	dB(A)	2,6	2,6
Sound power level L_{WA}	dB(A)	90	90
Guaranteed sound power level $L_{WA,d}$	dB(A)	93	93

Subject to technical modifications.

البيانات الفنية

K 6 Comfort Premium	K 5 Comfort Premium		
توصيل الطاقة			
230-240	230-240	V	الفلطية
1	1	~	الطور
50	50	Hz	التردد
9,6	9,1	A	تيار الشحن
IPX5	IPX5		نوع الحماية
I	I		فئة الحماية
13	13	A	مصهر الشبكة (محمول)
وصلة المياه			
1,2	1,2	MPa	ضغط التدفق (الأقصى)
40	40	°C	درجة حرارة التدفق (القصى)
9	9	l/min	كمية التدفق (الدنيا)
0,5	0,5	m	مستوى الشفط (الأقصى)
أداء الجهاز			
12,5	12	MPa	ضغط التشغيل
16	14,5	MPa	الضغط الأقصى المسموح به
7,5	7,5	l/min	كمية الإمداد، المياه
0,3	0,3	l/min	كمية الإمداد، مواد التنظيف
17	17	N	قوة ارتجاع مسدس الضغط العالي
الأبعاد الوزن			
16,8	16,8	kg	وزن التشغيل النمطي
417	417	mm	الطول
346	346	mm	العرض
668	668	mm	الارتفاع
القيم المسجلة وفقاً للمواصفة EN 60335-2-79			
1,1	1,1	m/s ²	قيمة اهتزاز اليد والذراع a _{Hy}
0,6	0,6	m/s ²	K قيمة الشك
77	77	dB(A)	مستوى انبعاث الصوت L _{PA}
2,6	2,6	dB(A)	K قيمة الشك
90	90	dB(A)	مستوى قدرة الصوت L _{WA}
93	93	dB(A)	مستوى قوة الصوت المضمون L _{WA,هـ}

المواصفات الفنية خاضعة للتعديل.

الحماية من التجمد

تنبيه

خطر حدوث أضرار بسبب الصقيع

1. إذا كان المحرك مغطىً بمحرك مُفَعِّلٍ.
 2. إذا كان المحرك مغطىً بشكل زائد، فسيُفصل مفتاح حماية المحرك الجهاز عن العمل.
 3. إيقاف الجهاز.
 4. اترك الجهاز لمدة ساعة واحدة ليبرد.
 4. تشغيل الجهاز والبدء في استعماله.
- في حالة تكرار الخطأ لأكثر من مرة، يجب فحص الجهاز من قبل خدمة العملاء.

يجب عدم شطف مواد التنظيف

- يتم ضبط نوع رش غير مناسب.
1. أدر رأس فوهة الرش إلى وضع "رش مادة التنظيف".
- فوهة التجمد مع زجاجة مادة التنظيف غير مركبة في الجهاز.
1. قم بتوصيل فوهة الرغوة بزجاجة مادة التنظيف المملوءة بالجهاز.

- زجاجة مادة التنظيف فارغة.
1. قم بتركيب زجاجة مادة التنظيف الكاملة.

الجهاز لا يعمل بالضغط

- تم ضبط نوع رش خاطئ على رأس فوهة الرش.
1. اضبط نوع الرش الخاص بالرش بالضغط العالي.
- الإمداد بالمياه منخفض للغاية.
1. فتح صنوبر المياه بالكامل.
 2. قم بفحص الإمداد بالمياه من حيث وجود كمية الإمداد الكافية.
 3. صنع خرطوم الحديقة دون التواءات.
 4. تأكد من عدم تخطي ارتفاع الشفط الأقصى.
- المصفاة في وصلة المياه متسخة.
1. تنظيف المصفاة في وصلة المياه.

يوجد هواء في الجهاز

1. تهوية الجهاز.

تقلبات شديدة في الضغط

- فوهة الرش في رأس فوهة الرش متسخة.
1. نظف فوهة الرش من الأمام بآبرة واشطفها.
- كمية المياه الداخلة منخفضة للغاية.
1. فتح صنوبر المياه بالكامل.
 2. صنع خرطوم الحديقة دون التواءات.
 3. تنظيف المصفاة في وصلة المياه.
 4. تحقق من كمية المياه الداخلة وقم بزيادتها إذا لزم الأمر.

الجهاز يسرب

1. التسرب الطفيف في الجهاز أمر ضروري فنيًا.
1. في حالة وجود تسرب كثيف، يجب إبلاغ خدمة العملاء المعتمدة.

الضمان

يسري في كل دولة شروط الضمان التي تضعها شركة التسويق المتخصصة التابعة لنا. نحن نتولى إصلاح الأخطاء التي قد تطرأ على جهازك خلال فترة الضمان بدون مقابل، عندما يكون سبب هذه الأعطال ناجم عن عيب في المواد المستخدمة أو في عملية التصنيع. في حالة استحقاق الضمان، توجه من فضلك بقسيمة الشراء إلى أقرب موزع أو مركز خدمة عملاء معتمد. (العنوان على الصفحة الخلفية)

يمكن العثور على المزيد من المعلومات حول الضمان (إن وجدت) في قسم الخدمة على موقع Kärcher المحلي تحت عنوان "التنزيلات".

⚠️ خطر

خطر على الحياة

- إصابات مميتة بسبب التعرض لصدمة كهربائية عند لمس الأجزاء الواقعة تحت فلطية.
- لا تلمس الأجزاء الواقعة تحت فلطية.
- قم بإغلاق الجهاز.
- اسحب قابس الشبكة من مقبس الشبكة.
- الجهاز لا يحتاج للصيانة، أي أنه لا يلزم القيام بأعمال الصيانة بشكل منتظم.

تنظيف المصفاة في وصلة المياه

تنبيه

خطر حدوث ضرر بسبب تلف المصفاة أو عدم وجودها

- أضرار في مضخة الضغط العالي لا تتم بتشغيل الجهاز دون مصفاة.
- لا تنظف المصفاة بأشياء صلبة ومدمية.
- تنظيف المصفاة في وصلة المياه عند اللزوم.
1. اربط الوصلة في وصلة المياه.
 2. سحب المصفاة.

صورة إيضاحية R

3. تنظيف المصفاة تحت المياه الجارية.
4. تركيب المصفاة في وصلة المياه.

المساعدة في حالة حدوث أعطال

في الغالب تكون للاختلالات أسباب بسيطة يمكنك التغلب عليها ببساطة بالاستعانة بالعرض العام التالي. في حالات الشك أو عند حدوث اختلالات غير مذكورة هنا فيرجى التوجه إلى خدمة العملاء المعتمدة.

⚠️ خطر

خطر على الحياة

- إصابات مميتة بسبب التعرض لصدمة كهربائية عند لمس الأجزاء الواقعة تحت فلطية.
- لا تلمس الأجزاء الواقعة تحت فلطية.
- قم بإغلاق الجهاز.
- اسحب قابس الشبكة من مقبس الشبكة.
- الجهاز لا يعمل
- انقطاع الإمداد بالفلطية.
1. تحقق مما إذا كان قابس الطاقة موصلًا.
 2. تشغيل الجهاز.
 3. حرر ذراع الزناد واضغط عليها.
- يبدأ تشغيل الجهاز، بخلاف ذلك:
4. التأكد من توافق بيانات الجهد الموجودة على لوحة الطراز مع جهد مصدر التيار.
 5. أفضل قابس الكهرباء عن مقبس التيار وافحص كابل الطاقة والقابس للتحقق من عدم وجود أي تلف.
- في حالة وجود تلف، استبدل كابل الطاقة فوراً عن طريق خدمة العملاء المعتمدة.

النقل

△ تنويه

خطر وقوع إصابة وضرر بفعل وزن الجهاز

إصابات وأضرار.
عليك عند النقل والتخزين مراعاة وزن الجهاز.

تنبيه

خطر حدوث أضرار بسبب مادة التنظيف المتسربة

أضرار مادية
انقل دائماً زجاجة المنظفات وخرزنها بينما فوهة الرغوة المثبتة في وضع قائم، وليست في وضع أفقي.

نقل الجهاز

سحب/دفع الجهاز

1. حرر قفل المقبض التلسكوبي واسحبه لأعلى حتى يستقر في مكانه.

صورة إيضاحية O

2. قم بإمالة الجهاز على العجلات واسحبه أو ادفعه.

حمل الجهاز

3. حرر قفل المقبض التلسكوبي وادفعه نحو بعضه.

4. ارفع الجهاز من المقبض التلسكوبي ومقبض الحمل، وحمّله.

نقل الجهاز في السيارة

5. تأمين الجهاز ضد الانزلاق، والانقلاب.

التخزين

△ تنويه

خطر وقوع إصابة وضرر بفعل وزن الجهاز

إصابات وأضرار.
عليك عند النقل والتخزين مراعاة وزن الجهاز.

تنبيه

خطر حدوث أضرار بسبب مادة التنظيف المتسربة

أضرار مادية
انقل دائماً زجاجة المنظفات وخرزنها بينما فوهة الرغوة المثبتة في وضع قائم، وليست في وضع أفقي.

حفظ الجهاز

△ تنويه

خطر الإصابة بسبب تسرب الماء الواقع تحت ضغط عال

إصابات
لا تفصل خرطوم الضغط العالي من مسدس الضغط العالي أو من الجهاز إلا في حالة عدم وجود ضغط في النظام.

1. إيقاف التشغيل، انظر إنهاء التشغيل.

2. فك أنبوب الرش من مسدس الضغط العالي.

3. ضع أنبوب الرش في حامل أنبوب الرش أو قم بشيئها في مكانها.

4. اضغط زر تحرير خرطوم الضغط العالي، واسحب خرطوم الضغط العالي من مسدس الضغط العالي.

5. صرف المياه من مسدس الضغط العالي.

6. ضع مسدس الضغط العالي في حامل مسدس الضغط العالي.

تنبيه

خطر حدوث ضرر إذا كان اتجاه اللف خاطئ.

أضرار في خرطوم الضغط العالي
لا تدربك خرطوم الضغط العالي إلا في الاتجاه المشار إليه.

7. أدر المقبض المرفقي في اتجاه عقارب الساعة للف خرطوم الضغط العالي.

صورة إيضاحية P

8. قم بتخزين كابل الطاقة على حامل كابل الطاقة.

صورة إيضاحية Q

قبل فترات التخزين الطويلة، يُرجى مراعاة الإرشادات الإضافية، انظر العناية والصيانة.

1. يمكن إضافة مادة التنظيف أو وضعها باستخدام فوهة الرغوة.

الخطأ

a قم بتركيب فوهة الرغوة في الجهاز.

موضع ذراع معايرة الرغوة ليس مهماً.

b اصطب رش مادة التنظيف على رأس فوهة الرش، انظر ضبط نوع النفت.

أثناء التشغيل، يتم خلط مادة التنظيف بتيار المياه.

استخدام فوهة الرغوة

a فك فوهة الرغوة الموجودة في الجهاز وقم بشيئها على مسدس الضغط العالي بدلاً من أنبوب الرش.

استخدم ذراع معايرة الرغوة لضبط الكمية المطلوبة من الرغوة.

2. حرر ذراع الزناد.

3. اصطب على ذراع الزناد ورش مادة التنظيف باعتدال على الأسطح الجافة.

4. دع مادة التنظيف تحدث تأثيرها (دون أن تجف).

5. اشطف الاتساخات التي تفككت باستخدام نوع الرش المناسب، انظر التشغيل بدون استخدام مواد تنظيف.

التشغيل بدون استخدام مواد تنظيف

تنبيه

تنبيه، خطر حدوث ضرر بسبب نوع الرش الصغير جداً أو غير الكافي
أضرار في الأسطح المطلوبة أو الحساسة

حافظ على مسافة 30 سم على الأقل في حالة تنظيف الأسطح المطلوبة.

لا تقم بتنظيف إطارات السيارات، أو الطلاء، أو الأسطح الحساسة مثل الخشب باستخدام التيار الدوار.

1. اصطب نوع الرش المناسب لمهمة التنظيف والجسم، انظر ضبط نوع النفت.

2. حرر ذراع الزناد.

3. اسحب ذراع الزناد، وقم بإجراء التنظيف.

قطع عملية التشغيل

1. ترك شد ذراع الزناد.

2. الجهاز يتوقف. يتم الحفاظ على الضغط العالي في النظام.

3. اغلق ذراع الزناد.

4. ضع مسدس الضغط العالي في حامل مسدس الضغط العالي.

5. في فترات التوقف عن العمل لمدة تزيد عن 5 دقائق، اغلق الجهاز.

إنهاء التشغيل

△ تنويه

خطر الإصابة بسبب تسرب الماء الواقع تحت ضغط عال

إصابات
لا تفصل خرطوم الضغط العالي من مسدس الضغط العالي أو من الجهاز إلا في حالة عدم وجود ضغط في النظام.

تنبيه

خطر حدوث أضرار بسبب الصقيع!

أضرار مادية

قم بتصريف المياه تماماً من الجهاز والملحقات.
عليك حماية الجهاز والملحقات دائماً من الصقيع.

1. ترك شد ذراع الزناد.

2. اغلق ذراع الزناد.

3. أغلق صنوبر المياه.

4. فصل الجهاز عن مصدر الإمداد بالمياه.

5. حرر ذراع الزناد.

6. الضغط على ذراع الزناد لمدة دقيقة بحد أقصى، حتى يتوقف خروج الماء نهائياً.

يتم تبديد الضغط المتبقي في النظام.

يتم ضخ الماء من الجهاز لمنع أضرار التجميد.

7. ترك شد ذراع الزناد.

8. اغلق ذراع الزناد.

9. إيقاف الجهاز.

10. اسحب قابس الشبكة من مقبس الشبكة.

11. فك الملحقات، ثم قم بتفريغها وخرزنها في الجهاز، ثم انظر حفظ الجهاز.

تنبيه

خطر حدوث ضرر عند استخدام وصلات الخرطوم المصنوعة من النحاس الأصفر مع وظيفة AquaStop من مقدمى الخدمات الخارجيين.

أضرار في مضخة الضغط العالي.
لا تستخدم سوى وصلات الخرطوم مع/دون وظيفة AquaStop من Kärcher. أو وصلات الخراطيم دون وظيفة AquaStop أو وصلات الخراطيم البلاستيكية مع وظيفة AquaStop من موردين خارجيين.
1. إدخال خرطوم الحديقة فى التوصيلة الخاصة بوصلة المياه.

إرشاد

*خرطوم حديقة مقوى بالنسيج ضروري قطره لا يقل عن 1/2 بوصة (13) مم، بطول 7,5 متر على الأقل، مع قارئة سريعة منقورة تجارياً.

صورة إيضاحية L

- توصيل خرطوم الحديقة بصنبور المياه.
- فتح صنبور المياه بالكامل.

شفط الماء من الخزانات

تم تجهيز هذا الجهاز بخرطوم شفط من KÄRCHER المتناسق الماء مثلاً من . براميل الأمطار، أو البرك، (لمعرفة أقصى ارتفاع للشفط، راجع البيانات الفنية).

- اربط الوصلة في وصلة المياه.
- املا خرطوم الشفط KÄRCHER بالمياه.
- أدر خرطوم الشفط KÄRCHER من وصلة المياه الخاصة بالجهاز، وتعليقه بأحد مصادر المياه.

تصريف الهواء من الجهاز

إرشاد

لتصريف هواء الجهاز، لا تُركب أنبوب الرش أو فوهة الرغوة على مسدس الضغط العالي.

- قم بتشغيل الجهاز عن طريق إدارة مفتاح الجهاز إلى الموضع "1".

البياف تشغيل الجهاز، قم بتدوير مفتاح الجهاز إلى الموضع "0".

صورة إيضاحية K

2. حرر ذراع الزناد.

صورة إيضاحية L

3. اسحب ذراع الزناد.

الجهاز يعمل.

4. أترك الجهاز يعمل بحد أقصى لمدة دقيقتين حتى تخرج المياه بدون فقاعات.

إرشاد

بمجرد تركيب فوهة الرغوة على الجهاز، تُضاف مادة التنظيف.

5. ترك شد ذراع الزناد.
6. اغلق ذراع الزناد.

التشغيل

⚠ تنويه

خطر الإصابة بسبب تسرب الماء الواقع تحت ضغط عال

إصابات
لا تفصل خرطوم الضغط العالي من مسدس الضغط العالي أو من الجهاز إلا في حالة عدم وجود ضغط في النظام.

تنبيه

خطر حدوث أضرار عند تشغيل المضخات على الجاف

تضرر المضخة
أوقف تشغيل الجهاز إذا لم يترآك الضغط في غضون دقيقتين.
تصرف وفقاً للتعليمات الواردة في المساعدة في حالة حدوث أعطال.

ضبط نوع النفث

1. اغلق ذراع الزناد.
2. قم بمحاذاة أدخل أنبوب النفث في مُسدس الضغط العالي ونهته من خلال إدارته بزاوية 90°.

صورة إيضاحية M

تنبيه

خطر حدوث تلف عند إدارة رأس فوهة الرش أثناء التشغيل

تلفيات في أنبوب النفث

حرر ذراع الزناد قبل تدوير رأس فوهة الرش.

3. أدر رأس فوهة الرش لضبط نوع الرش المناسب لمهمة التنظيف والجسم.

يجب أن يشير الرسم التخطيطي المعنى إلى الأعلى.

صورة إيضاحية N

إرشاد

يمكن أن تختلف حساسية المواد بشكل كبير اعتماداً على العمر الزمني والحالة، وبالتالي فإن التوصيات غير ملزمة.

الرسم التخطيطي	شكل الرش وضغط الرش	موصى بها على سبيل المثال
	رش مادة التنظيف العاملة بضغط منخفض	جميع الأسطح المناسبة لاستخدام مواد التنظيف
	الرش المسطح العريض مع ضغط متوسط	السيارات / الدراجة النارية، الدراجة الهوائية، أسطح القرميد / الأسطح المغطاة بالأحجار الرملية، الجدران المطلية، الأسطح الخشبية، الأثاث البلاستيكي / اثاث الخيزران
	الرش المسطح الضيق مع ضغط عال	على سبيل المثال، البلاط الحجري والأسفلت والأسطح المعدنية وأدوات الحدائق (عربة اليد، المجرقة، الخ)
	النفث الدوار بأعلى ضغط	الأتساخات العنيدة بشكل خاص على بلاط الحجر، الأسفلت، الأسطح المعدنية، أدوات الحديقة (عربة اليد، المجرقة، وغير ذلك)

التشغيل باستخدام مواد التنظيف

⚠ خطر

المخاطر الصحية بسبب مواد التنظيف!

أضرار صحية جسيمة

يجب مراعاة ورقة بيانات السلامة الصادرة عن الشركة المصنعة لمواد التنظيف.
ارتد تجهيزات الحماية الشخصية المطلوبة.

تنبيه

خطر حدوث ضرر من جراء مواد التنظيف غير المناسبة!

أضرار مادية

لا تستخدم سوى مواد تنظيف معتمدة من شركة Kärcher ومناسبة للأشياء المراد تنظيفها.
أحرص على مراعاة إرشادات السلامة وتوصيات الجرعات والإرشادات المرفقة بمواد التنظيف.
تعامل باقتضاب مع المنظفات.

تنبيه

خطر حدوث ضرر بسبب التعرض الطويل جداً لمواد التنظيف

وجفافها!

أضرار مادية

لا تضع رغوة التنظيف على الأسطح الساخنة وقم بمراعاة أقصى وقت للتعرض.
لا تترك رغوة التنظيف حتى تجف.

إرشاد

تضمن مواد التنظيف التي تطرحها KÄRCHER تنفيذ الأعمال بفعالية ودون أعطال. يرجى طلب المشورة أو قم بمراعاة منشورات معلومات مواد التنظيف الخاصة بنا.

نظرة عامة للجهاز

الصور، انظر صفحات الأشكال
الرسم التوضيحية مثالية، وقد تختلف التفاصيل
صورة إيضاحية A

- ① رأس فوهة الرش
- ② أنبوب الرش
- ③ مسدس الضغط العالي
- ④ زر تحرير خرطوم الضغط العالي
- ⑤ ذراع الزناد
- ⑥ مقبض قفل ذراع الزناد
- ⑦ خرطوم الضغط العالي
- ⑧ حامل مسدس الضغط العالي
- ⑨ بكرة خرطوم الضغط العالي
- ⑩ مقبض عمود الكرنك
- ⑪ مفتاح الجهاز
- ⑫ عجلة
- ⑬ مقبض تلوسكوبي
- ⑭ زر تحرير المقبض التلوسكوبي
- ⑮ حامل كابل الطاقة
- ⑯ كابل الشبكة
- ⑰ قابس الشبكة
- ⑱ لوحة الطراز
- ⑲ مقبض الحمل
- ⑳ * خرطوم الحدائق
- ㉑ توصيل وصلة المياه
- ㉒ ** خرطوم شفط KÄRCHER
- ㉓ مصفاة
- ㉔ وصلة الإمداد بالمياه
- ㉕ زجاجة مواد التنظيف
- ㉖ المنفذ الرغوي
- ㉗ حامل ماسورة الرش
- ㉘ زر تحرير فوهة الرغوة
- ㉙ ذراع معايرة الرغوة
- * ضروري بشكل إضافي
- ** متوفر اختياريًا

التركيب

للاشكال، انظر صفحة الصور.

قبل بدء التشغيل يجب بتركيب الأجزاء المرفقة بالجهاز.

تركيب المقبض التلوسكوبي

1. إدخال المقبض التلوسكوبي في الجهاز حتى يثبت بصوت مسموع.

صورة إيضاحية B

تركيب حامل ماسورة الرش

1. تركيب حامل ماسورة الرش:
a أدخل حامل ماسورة الرش في الفتحات الموجودة على الجهاز واطوه
b للأعلى حتى يتعشق في مكانه بصوت مسموع.

صورة إيضاحية C

تركيب حامل مسدس الضغط العالي

1. قم بتركيب حامل مسدس الضغط العالي:
a أدخل حامل مسدس الضغط العالي في الفتحات الموجودة على الجهاز واضغطه
b اصغط للأسفل حتى يثبت في مكانه.

تركيب حامل كابل الطاقة

1. قم بتركيب حامل كابل الطاقة:
a أدخل حامل كابل الطاقة في الفتحات الموجودة على الجهاز واطوه
b في الجهاز حتى يستقر في مكانه بصوت مسموع.

تركيب التوصيلات الخاصة بوصلة المياه

1. ربط التوصيلات الخاصة بوصلات المياه في موضع وصلات المياه بالجهاز.
صورة إيضاحية F

تركيب فوهة الرغوة في الجهاز

1. اربط فوهة الرغوة في زجاجة مواد التنظيف.
صورة إيضاحية G
2. ثبت فوهة الرغوة في الجهاز.
3. للفق، اصغط على زر تحرير فوهة الرغوة وافصل فوهة الرغوة من الجهاز.

بدء التشغيل

1. نصب الجهاز على أرضية مستوية.

تنبيه

خطر حدوث ضرر عند التشغيل بخرطوم ضغط عالي ملفوف!

1. أضرار في خرطوم الضغط العالي
فك خرطوم الضغط العالي بالكامل ووضعه دون عقد أو عروات أو التواءات قبل تشغيل الجهاز.
 2. اسحب خرطوم الضغط العالي بالكامل من بكرة الخرطوم.
 3. أخرج خرطوم الضغط العالي دون أي عقد أو عروات أو التواءات محتملة.
 4. تركيب خرطوم الضغط العالي في مسدس الضغط العالي.
a اضبط محاذاة خرطوم الضغط العالي وكذلك
b أدخل خرطوم الضغط العالي في مسدس الضغط العالي حتى يثبت بشكل مسموع.
5. صورة إيضاحية H
التحقق من التوصيل المصنوع عن طريق شد خرطوم الضغط العالي.
 6. قم بفك كابل الطاقة بالكامل.
 7. صورة إيضاحية I
إدخال قابس شبكة الطاقة في المقبس.

توصيل الإمداد بالمياه

تنبيه

خطر حدوث ضرر بسبب المياه الملوثة!

1. الاتساحات في المياه قد تؤدي إلى تضرر مضخة الضغط العالي والملحقات.
 - لا تقم بتشغيل الجهاز إلا بمياه نقية وصافية دون شوائب أو إضافات. لا تستخدم المياه الملوثة أو مياه الصرف الصحي أو المياه المالحة. توصيك شركة Kärcher باستخدام فلتر مياه من Kärcher بشكل اختياري.
 1. افحص ضغط ودرجة حرارة وكمية المياه الجاري الإمداد بها لضمان الامتثال للمنتجات، انظر البيانات الفنية.
- إرشاد**
يجب مراعاة التشرعيات التي ينص عليها مرفق الإمداد بالماء.

رموز على الجهاز

لا توجه شعاع الضغط العالي على الأشخاص، أو الحيوانات، أو أي معدات كهربائية فعالة أو على الجهاز نفسه.
حماية الجهاز من التجمد.

لا يسمح بتوصيل الجهاز مباشرة بشبكة مياه الشرب العامة.



حماية البيئة



المواد المستخدمة في التغليف قابلة لإعادة التدوير. يرجى التخلص من مواد التغليف بطريقة تحافظ على البيئة.



تحتوي الأجهزة الكهربائية والإلكترونية على مواد قيمة قابلة لإعادة التدوير وغالبًا ما تحتوي أيضًا على مكونات مثل البطاريات، أو المراكمات أو الزيوت والتي قد تشكل خطورة على صحة الإنسان والبيئة في حالة التعامل معها بشكل غير صحيح أو إذا تم التخلص منها بصورة خاطئة. إلا أن هذه المكونات ضرورية لتشغيل الجهاز بصورة سليمة. لا يجوز التخلص من الأجهزة المميزة بهذا الرمز مع النفايات المنزلية.



أعمال التنظيف التي تكون فيها مياه عادمة تحتوي على زيوت، مثل غسل المحركات، وغسل الهيكل السفلي، لا يسمح بإجرائها إلا في أماكن الغسل المزودة بفاصل للزيت.



لا يسمح بالعمل باستخدام مواد التنظيف إلا في أماكن العمل غير المنفذة للسوائل مع وجود وصلة بقناة المياه المتسخة. لا يسمح بوصول مواد التنظيف إلى المياه أو إلى التربة السطحية.



استخدام المياه من مجاري المياه العامة غير مسموح به في بعض البلدان.

إرشادات حول مواد المحتويات (REACH)

تجد المعلومات الحالية حول المحتويات على الموقع:

www.kaercher.de/REACH

الاستخدام المطابق لتعليمات

استخدم منطقات الضغط العالي للاستعمال المنزلي فقط. منطقات الضغط العالي مخصصة لتنظيف الماكينات والسيارات والمباني والعدد والواجهات والشرفات ومعدات الحدائق وغيرها وذلك باستخدام الضغط العالي لشعاع المياه.

الملحقات التكميلية وقطع الغيار

استخدام الملحقات التكميلية الأصلية وقطع الغيار الأصلية فقط، والتي تضمن تشغيل الجهاز بشكل آمن وخال من الاختلالات. تجد المعلومات الخاصة بالملحقات التكميلية وقطع الغيار على الموقع www.kaercher.com.

محتوى التسليم

محتوى تسليم الجهاز مصور على العبوة. تأكد من وجود جميع محتويات العبوة عند فتحها. وفي حالة نقص أية ملحقات تكميلية أو اكتشاف أي تلف بها ناتج عن عملية النقل، يرجى إخطار البائع.

لذلك كابلات التمديد الكهربائية المرخصة والمميزة ومزودة بمقطع عرضي للكابل كافي: 10-1 م: 1,5 مم²، 10-30 م: 2,5 مم²

⚠ **تنويه** • فك كابل التمديد الكهربائي دائمًا بشكل كامل من بكرة الكابل الكهربائي. • يجب عند التوقف عن العمل لفترة استراحة طويلة وبعد الاستخدام إيقاف الجهاز عن طريق المفتاح الرئيسي / مفتاح الجهاز وكذلك فصل القابس الكهربائي أيضًا.

التشغيل باستخدام مادة تنظيف

⚠ **تحذير** • يمكن أن يؤدي استعمال مواد التنظيف غير الصحيحة إلى حدوث إصابات خطيرة أو إلى حدوث التسمم.

⚠ **تنويه** • خزّن مواد التنظيف بعيدًا عن متناول الأطفال.

• استخدم مواد التنظيف الموردة مع الجهاز أو التي تنصح بها الجهة الصانعة فقط. استخدام مواد التنظيف الأخرى أو المواد الكيميائية يمكن أن تضر بسلامة الجهاز.

العناية والصيانة

⚠ **تحذير** • افصل القابس الكهربائي قبل إجراء أي أعمال للصيانة والعناية.

⚠ **تنويه** • عليك إجراء أعمال الإصلاح أو الأعمال الأخرى على القطع الكهربائية من قبل مركز خدمة معتمدة فقط.

⚠ **تنويه** • لا تستخدم مادة الأستون أو مواد حمضية غير مخففة أو مواد مذيبة لأن هذه المواد ستضر بالمواد المستخدمة في الجهاز.

الشحن

⚠ تنويه

• خطر الحوادث والإصابة. عليك مراعاة وزن الجهاز عند عملية الشحن والتخزين، انظر فصل *البيانات الفنية* في دليل التشغيل.

تعليمات السلامة العامة

⚠ **خطر** • خطر الاختناق. يجب عليك إبعاد أكياس التعبئة والتغليف عن متناول الأطفال.

⚠ **تحذير** • استخدم الجهاز وفقًا للغرض المحدد له فقط. عليك مراعاة الظروف المحيطة والانتباه عند استخدام الجهاز إلى الأشخاص الآخرين وخاصة الأطفال منهم. • يسمح للأشخاص الذين لديهم قدرات بدنية أو حسية أو عقلية محدودة أو الذين لا تتوافر لديهم الخبرة والمعرفة الكافية، أن يستخدموا الجهاز بشرط الإشراف عليهم بشكل صحيح، أو إذا تم بعد حصولهم على تعليمات بشأن كيفية الاستخدام الآمن للجهاز من قبل شخص مسؤول عن سلامتهم ومعرفة المخاطر المرتبطة به. • لا يسمح للأطفال بتشغيل الجهاز. • يجب مراقبة الأطفال للتأكد من عدم لعبهم بالجهاز.

⚠ **تنويه** • تجهيزات السلامة تخدم حمايتك. لا تقم بتغيير أو تجاوز تجهيزات السلامة أبدًا.

تجهيزات السلامة

⚠ تحذير

خطر الإصابة

إصابات خطيرة بسبب فقد تجهيزات السلامة أو تعديلها أو عدم فعاليتها.

لا تتجاوز تجهيزات السلامة أو تزيلها أو تجعلها غير فعالة. تجهيزات السلامة تخدم حمايتك.

مفتاح الجهاز

مفتاح الجهاز يمنع تشغيل الجهاز دون قصد.

مقبض قفل ذراع الزناد

مقبض قفل ذراع الزناد يجب ذراع الزناد وبحول دون بدء تشغيل الجهاز بلا قصد.

وظيفة الإيقاف التلقائي

إذا تم تحرير ذراع الزناد، يوقف مفتاح الضغط مضخة الضغط العالي، ويوقف شعاع الضغط العالي. عند شد ذراع الزناد فتعمل مضخة الضغط العالي.

مفتاح حماية المحرك

في حالة وجود تيار عالي للغاية، يغلق مفتاح حماية المحرك الجهاز.

المحتويات

14	تطبيق KÄRCHER Home & Garden App
14	إرشادات السلامة
15	تجهيزات السلامة
15	رموز على الجهاز
15	حماية البيئة
15	الاستخدام المطابق للتعليمات
15	الملحقات التكميلية وقطع الغيار
15	محتوى التسليم
16	نظرة عامة للجهاز
16	التركيب
16	بدء التشغيل
17	التشغيل
18	النقل
18	التخزين
19	العناية والصيانة
19	المساعدة في حالة حدوث أعطال
19	الضمان
20	البيانات الفنية

تطبيق KÄRCHER Home & Garden App

- باستخدام تطبيق KÄRCHER Home & Garden، يمكنك الاستفادة من المزايا التالية عند استخدام جهازك:
- ضمان الاستخدام ومعارف الخبراء
 - معلومات المنتج ونظرة عامة على الملحقات وتعليمات التشغيل
 - وسائل المساعدة والاتصال بالخدمة
 - المتجر على الانترنت - عروض حصرية وأكثر من ذلك بكثير
 - امسح الكود على العبوة أو حمل تطبيق KÄRCHER Home & Garden على متجر التطبيقات الخاص بك وسجل منتج بسهولة.

إرشادات السلامة

- اقرأ فصل السلامة هذا ودليل التشغيل الأصلي هذا أيضا قبل استخدام الجهاز لأول مرة. تم تصريف طبقا لذلك. حافظ على دليل التشغيل الأصلي للاستخدام لاحقا أو تسليمه للمالك التالي.
- عليك إلى جانب الإرشادات الواردة في دليل التشغيل مراعاة القواعد العامة للسلامة والوقاية من الحوادث والتي يحددها المشرع القانوني.
 - تشير علامات الإرشاد والتحذير الموجودة على الجهاز إلى الأرشادات الهامة للتشغيل الآمن.

درجات الخطر

⚠️ خطر

- إشارة إلى خطر مباشر وشيك الحدوث وقد يؤدي إلى إصابات جسدية بالغة أو إلى الوفاة.

⚠️ تحذير

- إشارة إلى موقف قد تحفه المخاطر وقد يؤدي إلى إصابات جسدية بالغة أو إلى الوفاة.

⚠️ تنويه

- إشارة إلى موقف قد تحفه المخاطر وقد يؤدي إلى إصابات بسيطة.

⚠️ تنبيه

- إشارة إلى موقف قد تحفه المخاطر وقد يؤدي إلى حدوث أضرار مادية.

التشغيل

⚠️ خطر

- لا تقم بشفط مواد مذيبة أو سوائل تحتوي على مواد مذيبة أو مواد حمضية رقيقة مخففة أبدا. وهذه تشمل على سبيل المثال البنزين، مواد إضائة للألوان أو وقود التدفئة. الرذاذ قابل للاشتعال والانفجار وسام. • إطارات السيارات التالفة /صمامات الإطارات تشكل مصدر خطر على الحياة. إطارات السيارات /صمامات الإطارات يمكن أن تتضرر أو تنفجر عن طريق استخدام شعاع الضغط العالي. أول

علامة على ذلك هو تغيير لون الإطار. عليك المحافظة على مسافة 30 سم على الأقل من الشعاع عند تنظيف السيارة عن إطارات السيارة / صمامات الإطارات.

⚠️ تحذير

• لا تستخدم الجهاز بالقرب من تواجد أشخاص آخرين لا يرتدون ملابس واقية مناسبة. • لا توجه شعاع الضغط العالي على نفسك مثلا على ملابسك أو حذائك لتنظيفه. • لا توجه شعاع الضغط العالي على الأشخاص، الحيوانات، معدات كهربائية فعالة أو على الجهاز نفسه. • لا تقوم برش أي أشياء تحتوي على مواد ضارة بالصحة (الأسيتات مثلا). • تأكد قبل كل استخدام من أن الجهاز وملحقاته في حالة سليمة وأمنة للتشغيل مثلا خرطوم الضغط العالي، مدسد الضغط العالي وتجهيزات السلامة أيضا. لا تستخدم الجهاز عند وجود تلف فيه. قم بتغيير الأجزاء التالفة فوراً. • استخدم خراطيم الضغط العالي والتجهيزات والقاربات التي تصحح بها الجهة الصانعة. • خطر الاحتراق. عند فصل مدخل الخرطوم أو خرطوم الضغط العالي يمكن أن يخرج ماء ساخن من الوصلات بعد التشغيل.

⚠️ تنويه

• لا تستخدم الجهاز أبدا بدون قاطع للنظام بشبكة مياه الشرب وفقا للوائح السارية. تأكد من أن وصلة الشبكة المائية بمنزلك التي تم توصيلها بجهاز التنظيف بالضغط العالي مزودة بفاصل للنظام وفقا لمعيار EN 12729 Typ BA. • الماء التي تمر عن طريق فاصل النظام لا تصلح بعد ذلك للشرب. • لا تترك الجهاز دون مراقبة أبدا طالما يكون مشغلا. • يتم عن طريق المياه الخارجة من فوهة الضغط العالي توليد قوة ارتدادية بمدسد الضغط العالي. قم بتأمين مكان وقوفك بشكل آمن وامسك مدسد الضغط العالي وأنبوب الشعاع بشكل ثابت. • حوادث واضرار ناجمة عن سقوط الجهاز. يجب عليك ضمان السلامة قبل إجراء أي عمل على الجهاز أو قبل استخدام الجهاز.

• لا تستخدم الجهاز عندما تكون درجات الحرارة تحت 0^o مئوية.

معدات الحماية الشخصية

⚠️ تنويه

• ارتدي ملابس واقية مناسبة ونظارة واقية لحماية نفسك من رذاذ الماء والأوساخ المتطايرة. • يمكن أن ينشأ هباء جوي/أبروسول أثناء استعمال جهاز التنظيف بالضغط العالي. يمكن أن يؤدي استنشاق الهباء الجوي إلى حدوث أضرار صحية. اعتمادا على نوع الاستخدام، يمكن أن يساعد استعمال فوّهات محمية بالكامل (منظف سطحي مثلا) في تقليل انبعاث الهباء الجوي بشكل كبير. ارتدي تبعا للمكان المراد تنظيفه، قناع واقٍ للتنفس من فئة FFP 2 أو ما يعادلها لحماية نفسك من استنشاق الهباء الجوي عندما يكون استخدام فوهة محمية بالكامل غير ممكنا.

خطر الصعق الكهربائي

⚠️ خطر

• قم بتوصيل أجهزة فنة الحماية ا بمصادر التيار الكهربائي المأرضة بشكل سليم فقط. • قم بتوصيل الجهاز بتيار متردد فقط. يجب أن يتوافق الجهد الموجود على لوحة الطراز مع جهد مصدر التيار. • استخدم الجهاز عن طريق قاطع الدائرة الكهربائية فقط (30 مللي أمبير حد أقصى). • لا تلمس القابض الكهربائي والمقبس بأيدي مبللة بالماء نهائياً. • يجب أن يكون القابض الكهربائي وقارئة كابل التمديد الكهربائي مقاومة ضد الماء ولا يسمح بوضعهم في الماء. لا يسمح بوضع القارئة على الأرض. استخدم بكرات الكابيل الكهربائي التي تتضمن تواجد القوابض الكهربائية بقدر 60 مم فوق الأرض على الأقل. • يجب أن تكون جميع الأجزاء الموصلة للتيار الكهربائي في مكان العمل محمية من أشعة الماء.

⚠️ تحذير

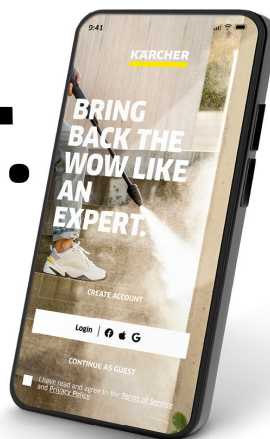
• قم بتوصيل الجهاز بوصلة كهربائية يكون تم شرائها من متجر متخصص ببيع الاجهزة الكهربائية وفقا لمعيار IEC 60364-1. • تأكد قبل كل استخدام للجهاز من عدم وجود تلف في كابل التيار الكهربائي والقابض. عند تعرض كابل التيار الكهربائي للتلف، يجب استبداله على الفور عن طريق الشركة المصنعة، أو مركز خدمة العملاء المعتمد، أو كهربائي متخصص، وذلك لتجنب أي مخاطر. • لا تقم بالحاق أضرار أو إتلاف كابل التوصيل الكهربائي وكابيل التمديد الكهربائي عن طريق الدهس، سحق، الشد أو فعل شيء به من هذا القبيل. قم بحماية كابل التوصيل الكهربائي من الحرارة، الزيت والحواف الحادة. • كابلات التمديد الكهربائي غير المناسبة يمكن أن تكون مصدر للخطر. استخدم في الهواء الطلق

REGISTER TO BENEFIT.



Scan QR Code for download and easy product registration in Home & Garden App or website.

karcher.com/register



DE – Laden Sie die Home & Garden App herunter, um Ihr Gerät zu registrieren und volle Unterstützung bei der Reinigung zu erhalten.

- Steuerung von smarten Produkten
- Anwendungstipps & Expertenwissen
- Produktinformationen, Zubehör-Übersicht und Betriebsanleitungen
- Hilfestellungen und Service-Kontakt
- Onlineshop, exklusive Angebote und vieles mehr

EN – Download the Home & Garden App to register your device for full support in cleaning.

- Control of smart products
- Application tips & expert knowledge
- Product information, overview of accessories and operating instructions
- Support and service contact
- Online shop – exclusive offers and much more

FR – Téléchargez l'application Home & Garden pour enregistrer votre appareil et bénéficier d'une assistance complète en matière de nettoyage.

- Contrôle des produits intelligents
- Conseils d'utilisation & expertise
- Informations sur les produits, présentation des accessoires et manuels d'utilisation
- Aide et contact de service
- Boutique en ligne – offres exclusives et bien plus encore

ES – Descarga la aplicación Home & Garden para registrar tu equipo y disfrutar de todas las ventajas de la limpieza.

- Control de productos inteligentes
- Consejos de aplicación y conocimientos de expertos
- Información sobre el producto, resumen de accesorios y manual de instrucciones
- Asistencia y contacto para el servicio
- Tienda en línea: ofertas exclusivas y mucho más

karcher.com/dealersearch

Alfred Kärcher SE & Co. KG
Alfred-Kärcher-Str. 28-40
71364 Winnenden (Germany)