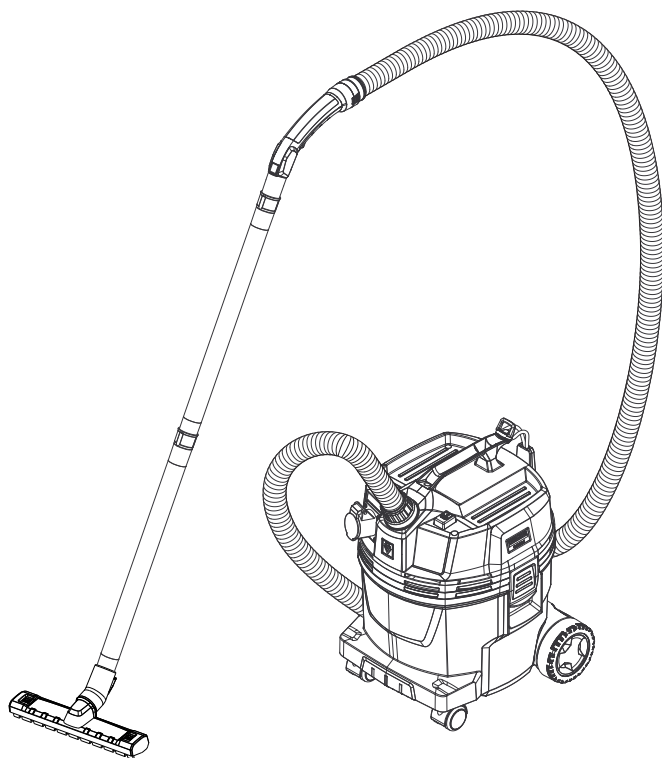


NT 22/1 Ap Te L

English

5

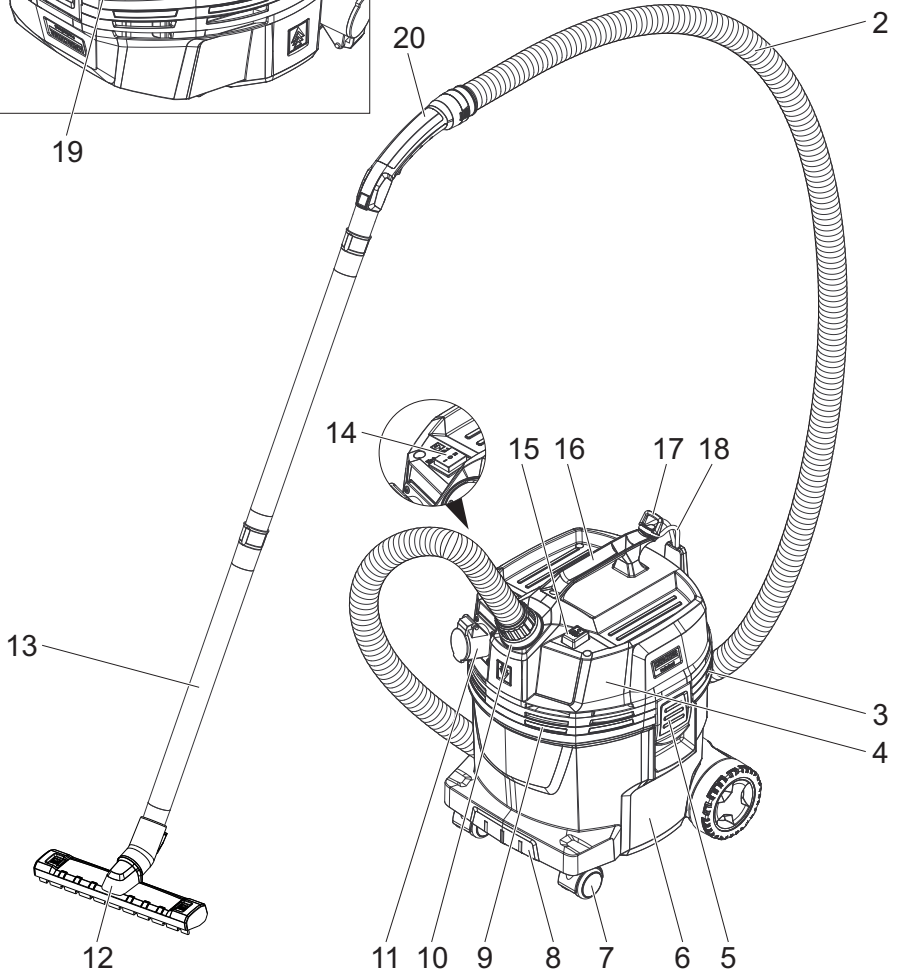
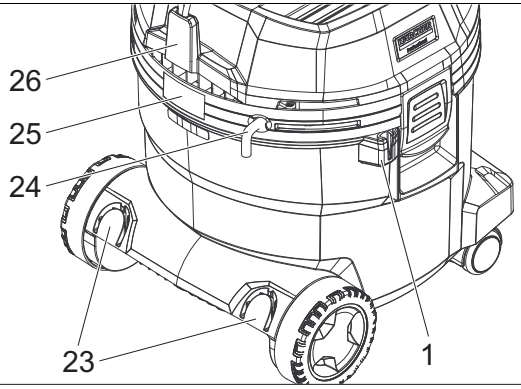
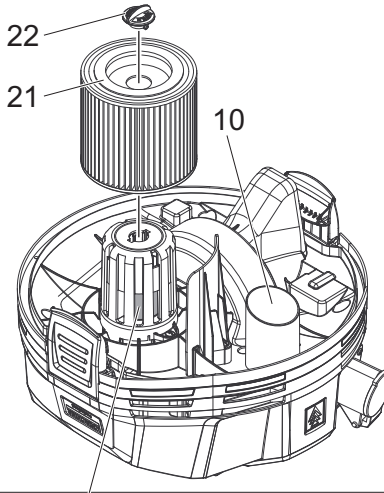


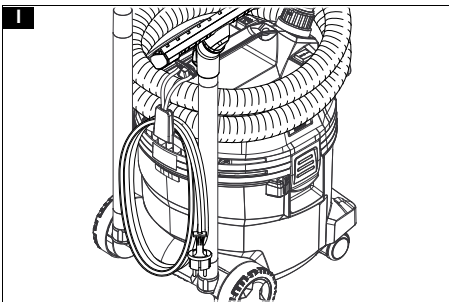
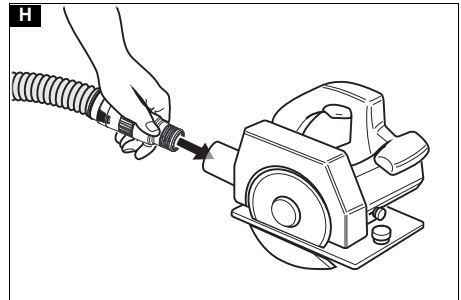
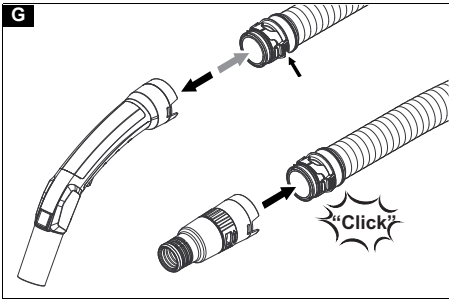
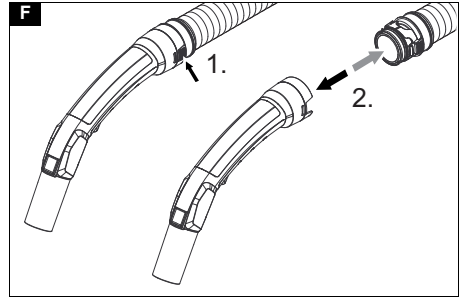
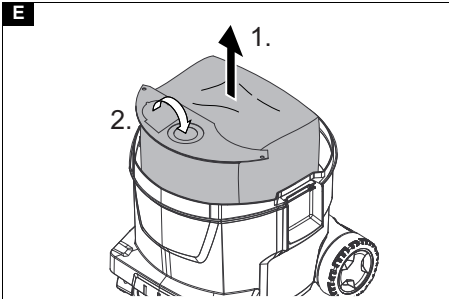
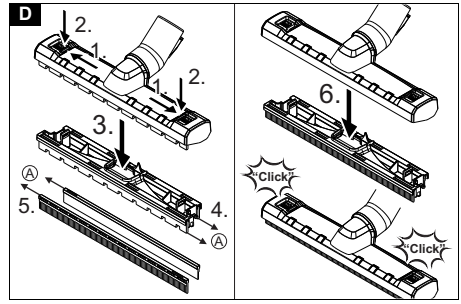
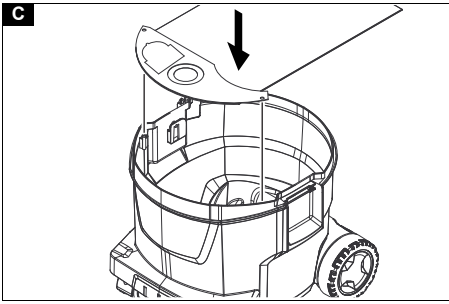
**Register
your product**
www.kaercher.com/welcome



59698020 (03/23)

A







Contents

General notes	5
Environmental protection	5
Intended use	5
Description of the device	5
Symbols on the device	5
Preparation	6
Initial startup	6
Operation	6
Transport	7
Storage	7
Care and service	7
Troubleshooting guide	7
Warranty	8
Accessories and spare parts	8
Declaration of Conformity	8
Technical data	9


General notes


  Read these original instructions and the enclosed safety instructions before using the device for the first time. Act in accordance with them.

Keep both books for future reference or for future owners.

- If the operating instructions and safety instructions are not observed, the device can be damaged and dangers could arise for users and other persons.
- Notify the dealer immediately in the case of shipping damage.
- Check the package contents when unpacking for missing accessories or for damage.

Environmental protection

 The packing materials can be recycled. Please dispose of packaging in accordance with the environmental regulations.

 Electrical and electronic devices contain valuable, recyclable materials and often components such as batteries, rechargeable batteries or oil, which - if handled or disposed of incorrectly - can pose a potential danger to human health and the environment. However, these components are required for the correct operation of the device. Devices marked by this symbol are not allowed to be disposed of together with the household rubbish.

Notes on the content materials (REACH)

Current information on content materials can be found at: www.kaercher.de/REACH

Intended use

- This wet/dry vacuum cleaner is designed to remove dry dirt and liquids.
- This device is suitable for vacuuming dry, non-flammable dusts that are harmful to health from machines and devices; dust class L as per EN 60335-2-69. Restrictions: No carcinogenic substances may be vacuumed.
- This device is suitable for commercial use, e.g. in hotels, schools, hospitals, factories, shops, offices, and rental companies.

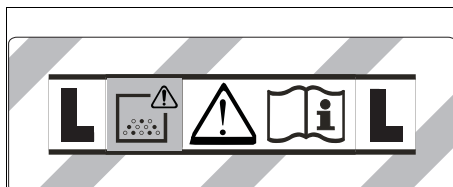
Description of the device

Illustration A

- ① Mount for floor nozzle
- ② Suction hose
- ③ Air exit, working air
- ④ Suction head
- ⑤ Suction head lock
- ⑥ Dirt receptacle
- ⑦ Steering roller
- ⑧ Recessed grip
- ⑨ Air inlet, motor cooling air
- ⑩ Suction hose port
- ⑪ Socket
- ⑫ Floor nozzle
- ⑬ Suction pipe
- ⑭ Main switch
- ⑮ Filter dedusting button
- ⑯ Carrying handle
- ⑰ Fastening eyelet
- ⑱ Hose hook
- ⑲ Float
- ⑳ Angle piece
- ㉑ Cartridge filter (PES)
- ㉒ Securing nut
- ㉓ Suction pipe holder
- ㉔ Mains cable
- ㉕ Type plate
- ㉖ Cable hooks

Symbols on the device

Dust class



WARNING: This device contains dusts that are harmful to your health. Emptying and maintenance, including removal of the dust bag, may only be performed by appropriately trained personnel wearing suitable personal protective equipment. Do not switch on until the entire filter system is installed.

Cartridge filter



Cartridge filter (PES)	
Order number	2.889-219.0

Preparation

1. Unpack the device and install the accessories.

Illustration B

Initial startup

⚠ **WARNING**

Danger from dust that is harmful to your health

Respiratory sicknesses through inhalation of dust.

Do not vacuum without correctly installed filter elements, otherwise a danger to health from increased fine dust emission is present.

ATTENTION

Danger due to fine dust entering

Risk of damage to the suction motor.

Never remove the cartridge filter when vacuuming.

Dry vacuuming

- The appliance is fitted with a fleece filter bag with lock latch, order no. 2.889-217.0 (5 pieces).

Note

All types of dust up to dust class L can be vacuumed with this device.

Note

The device is an industrial vacuum cleaner for vacuuming dry, non-inflammable dusts with workplace limit values (AGW) greater than or equal to 1 mg/m³.

- An additional fleece filter bag can be used when vacuuming fine dust.

Installing the fleece filter bag

1. Unlock and remove the suction head.
2. Fit the fleece filter bag.

Illustration C

3. Fit and lock the suction head.

Wet vacuum cleaning

⚠ **DANGER**

Danger from dust that is harmful to your health

Respiratory sicknesses through inhalation of dust.

No dusts harmful to health may be vacuumed when performing wet vacuum cleaning.

Installing the squeegees

1. Remove the brush strip.

Illustration D

2. Install the squeegees.

Note

The structured side of the squeegees must face outwards. Note the different lengths of the squeegees.

Removing the fleece filter bag

- The fleece filter bag must always be removed when vacuuming wet substances.

1. Unlock and remove the suction head.
2. Pull the fleece filter bag on the flange up and out.

Illustration E

3. Fold in the lock latch and seal the fleece filter bag tight.
4. Dispose of the used fleece filter bag in accordance with statutory regulations.
5. Fit and lock the suction head.

General

- We recommend not using the "Semi-automatic filter dedusting" function button when vacuuming wet dirt with the crevice nozzle or upholstery nozzle (optional) when sucking mainly water out of a container.
- On completion of wet vacuum cleaning: Clean the cartridge filter using the filter dedusting function. Clean the container with a moist cloth and dry it off.


Clip connection

The suction hose is equipped with a clip system. All accessory parts with a nominal width of 35 mm can be connected.

Illustration F

Operation

Main switch

0	Device OFF
1 ON	Device ON Semi-automatic filter dedusting: ON Socket: OFF
 2 ON	Device ON Semi-automatic filter dedusting: ON Socket: ON

Switching on the device

1. Connect the mains plug.
2. Set the main switch to the desired program.

Working with power tools

⚠ **DANGER**

Danger of electric shock

Risk of injury and damage.

The socket is only intended for direct connection of power tools to the vacuum cleaner. Any other use of the socket is prohibited.

1. Plug the mains plug of the power tool into the power socket on the vacuum cleaner. The vacuum cleaner is in Standby mode.
2. Set the main switch to program "2".

Note

The vacuum cleaner is automatically switched on and off with the power tool.

Note

The vacuum cleaner has a startup delay of up to 0.5 seconds and an after-running time of up to 5 seconds.

Note

See the Technical data for the permissible power rating of the power tool.

3. Remove the angle piece from the suction hose.

Illustration G

4. Install the tool adapter on the suction hose.
5. Connect the tool adapter to the power tool.

Illustration H

6. Regulate suction power on the suction control of the tool adapter (variable).

Semi-automatic filter dedusting

Note

Actuating the filter dedusting every 5-10 minutes extends the working time of the cartridge filter.

Note

The semi-automatic filter dedusting can only be switched on when the device is switched on.

1. Press the semi-automatic filter dedusting button 5x. The cartridge filter is then cleaned by a blast of air (pulsing noise).
2. Power dedusting (for particularly severe contamination of the cartridge filter): Close off the suction pipe or angle piece with your hand and press the semi-automatic filter dedusting button 5x at the same time.

Draining the dirt receptacle

⚠ WARNING

Waste water hazard

Environmental pollution

Observe local waste water treatment regulations.

- The suction duct is equipped with a float.
 - When the maximum permissible waste water level in the container is reached, the suction volume is interrupted.
1. Switch off the device at the main switch.
 2. Empty the container.

Switching off the device

1. Press the semi-automatic filter dedusting button 5x.
2. Switch off the device at the main switch.
3. Pull out the mains plug.

Each time after use

1. Empty the container.
2. Vacuum off the inside and outside of the device and clean with a moist cloth.

Storing the device

1. Store the suction pipe, suction hose and mains cable as shown in the illustration.

Illustration I

2. Store the device in a dry room and secure it against unauthorised use.

Transport

⚠ CAUTION

Failure to observe the weight

Risk of injury and damage

Be aware of the weight of the device during transportation.

1. Remove the suction hose with floor nozzle from the support. Carry the device by the carrying handle and suction pipe.
2. When transporting the device in vehicles, secure it to prevent it from slipping or overturning in accordance with the respective valid guidelines.

Storage

⚠ CAUTION

Failure to observe the weight

Risk of injury and damage

Be aware of the weight of the device during storage.

The device may only be operated indoors.

Care and service

⚠ DANGER

Danger of electric shock

Injuries due to touching live parts

Switch off the device.

Remove the mains plug.

Dust extraction machines are safety devices for the prevention or elimination of hazards according to the German DGUV regulation 1 (German accident prevention regulation, principles of prevention).

ATTENTION

Care agents containing silicone

These can attach plastic components.

Do not use care agents containing silicone for cleaning.

- You can perform basic maintenance and care work yourself.
- Clean the surface of the device and the interior of the container regularly with a moist cloth.

Changing the cartridge filter

1. Unlock and remove the suction head.
2. Turn the suction head by 180 ° and set it down.
3. Unscrew the securing nut.
4. Remove the cartridge filter.
5. Dispose of the used cartridge filter in accordance with statutory regulations.
6. Install new cartridge filter.
7. Insert and tighten the securing nut.
8. Fit and lock the suction head.

Changing the fleece filter bag

1. Unlock and remove the suction head.
2. Pull the fleece filter bag on the flange up and out.
Illustration E
3. Fold in the lock latch and seal the fleece filter bag tight.
4. Dispose of the used fleece filter bag in accordance with statutory regulations.
5. Fit the new fleece filter bag.
6. Fit and lock the suction head.

Troubleshooting guide

⚠ DANGER

Danger of electric shock

Injuries due to touching live parts

Switch off the device.

Remove the mains plug.

Note

The device must be switched off immediately if a malfunction occurs (e.g. filter breakage). The malfunction must be eliminated before switching the device on again.

Suction turbine does not start up

1. Check the socket and the power supply fuse.
2. Check the mains cable, mains plug, and the socket on the device.
3. Switch on the device.

Suction turbine runs, but the device does not suck

Float closes suction duct

1. Empty the dirt receptacle.

Suction power decreases

1. Remove any blockages from the suction nozzle, suction pipe, suction hose or cartridge filter.
2. Change the filled fleece filter bag.
3. Press the semi-automatic filter dedusting button 5x with the device switched on.
4. Change the cartridge filter.

Escaping dust when vacuuming

1. Check that the cartridge filter is correctly fitted.
2. Change the cartridge filter.

Semi-automatic filter dedusting not working

1. Suction hose not connected.

Semi-automatic filter dedusting does not switch off

1. Contact Customer Service.

Semi-automatic filter dedusting cannot be switched on

1. Contact Customer Service.

Customer Service department

If the malfunction cannot be corrected, the device must be checked by the Customer Service department.

Warranty

The warranty conditions issued by our sales company responsible apply in all countries. We shall remedy possible malfunctions on your device within the warranty period free of cost, provided that a material or manufacturing defect is the cause. In a warranty case, please contact your dealer (with the purchase receipt) or the next authorised customer service site.
(See overleaf for the address)

Accessories and spare parts

Only use original accessories and original spare parts. They ensure that the appliance will run fault-free and safely.

Information on accessories and spare parts can be found at www.kaercher.com.

Declaration of Conformity

EU Declaration of Conformity

We hereby declare that the machine described below complies with the relevant basic safety and health requirements in the EU Directives, both in its basic design and construction as well as in the version placed in circulation by us. This declaration is invalidated by any changes made to the machine that are not approved by us.

Product: Wet/dry vacuum cleaner

Type: 1.378-xxx

Currently applicable EU Directives

2006/42/EC (+2009/127/EC)

2011/65/EU

2014/30/EU

Harmonised standards used

EN IEC 63000: 2018

EN 55014-1: 2017 + A11: 2020

EN 55014-2: 2015

EN 60335-1

EN 60335-2-69

EN 61000-3-2: 2014

EN 61000-3-3: 2013

EN 62233: 2008

National standards used

-

The undersigned act on behalf and under the power of attorney of the company management.



H. Jenner

Chairman of the Board of Management



S. Reiser

Director Regulatory Affairs & Certification

Documentation supervisor:

S. Reiser

Alfred Kärcher SE & Co. KG

Alfred-Kärcher-Str. 28 - 40

71364 Winnenden (Germany)

Ph.: +49 7195 14-0

Fax: +49 7195 14-2212

Winnenden, 2020/10/01

Declaration of Conformity (UK)

We hereby declare that the product described below complies with the relevant provisions of the following UK Regulations, both in its basic design and construction as well as in the version put into circulation by us. This declaration shall cease to be valid if the product is modified without our prior approval.

Product: Wet/dry vacuum cleaner

Type: 1.378-xxx

Currently applicable UK Regulations

S.I. 2008/1597 (as amended)

S.I. 2012/3032 (as amended)

S.I. 2016/1091 (as amended)

Designated standards used

EN IEC 63000: 2018

EN 55014-1: 2017 + A11: 2020

EN 55014-2: 2015

EN 60335-1

EN 60335-2-69

EN 61000-3-2: 2014

EN 61000-3-3: 2013

EN 62233: 2008

National standards used

-

The undersigned act on behalf and under the power of attorney of the company management.



H. Jenner

Chairman of the Board of Management



S. Reiser

Director Regulatory Affairs & Certification

Documentation supervisor:

S. Reiser

Alfred Kärcher SE & Co. KG

Alfred-Kärcher-Str. 28 - 40

71364 Winnenden (Germany)

Ph.: +49 7195 14-0

Fax: +49 7195 14-2212

Winnenden, 2020/10/01

Technical data

		NT 22/1 Ap Te L
Electrical connection		
Mains voltage	V	110
Phase	~	1
Power frequency	Hz	50-60
Degree of protection		IPX4
Protection class		I
Nominal power	W	1000
Maximum power	W	1200
Power rating of the device socket (GB)	W	100-750
Device performance data		
Tank content	l	22
Fluid filling quantity	l	13
Air quantity (max.)	m ³ /h (l/s)	130 (36)
Vacuum (max.)	kPa (mbar)	17,5 (175)
Air quantity (max., suction motor)	m ³ /h (l/s)	245 (68)
Vacuum (max., suction motor)	kPa (mbar)	22,9 (229)
Dimensions and weights		
Typical operating weight	kg	6,7
Length x width x height	mm	385 x 370 x 480
Diameter of the suction hose	mm	35
Length of the suction hose	m	1,9
Determined values in acc. with EN 60335-2-69		
Sound pressure level L _{pA}	dB(A)	71
Uncertainty K _{pA}	dB(A)	1
Hand-arm vibration value	m/s ²	<2,5
Uncertainty K	m/s ²	0,2
Mains cable		
Power cord type	mm ²	H07RN-F 3x1,5
Part number (GB)		6.650-361.0
Cable length	m	6

Subject to technical modifications.



THANK YOU!
MERCI! DANKE! ¡GRACIAS!



Registrieren Sie Ihr Produkt und profitieren Sie von vielen Vorteilen.

Register your product and benefit from many advantages.

Enregistrez votre produit et bénéficiez de nombreux avantages.

Registre su producto y aproveche de muchas ventajas.

www.kaercher.com/welcome



Bewerten Sie Ihr Produkt und sagen Sie uns Ihre Meinung.

Rate your product and tell us your opinion.

Évaluer votre produit et dites-nous votre opinion.

Reseñe su producto y díganos su opinión.



www.kaercher.com/dealersearch

Alfred Kärcher SE & Co. KG

Alfred-Kärcher-Str. 28-40

71364 Winnenden (Germany)

