

KÄRCHER

makes a difference

LTR 18-25 Battery

English
العربية

5
11

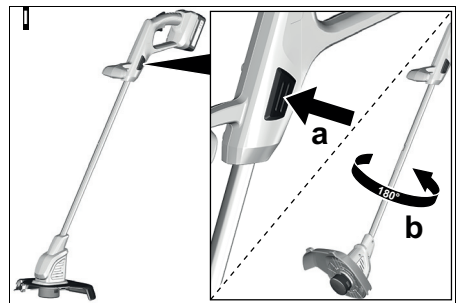
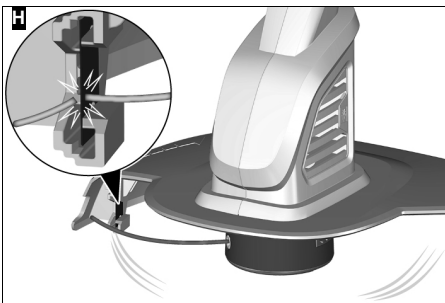
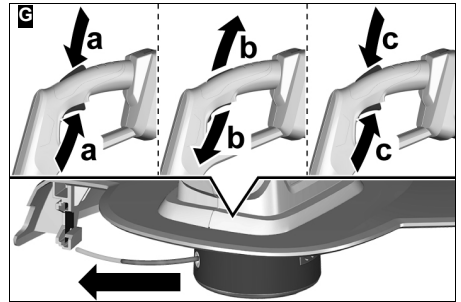
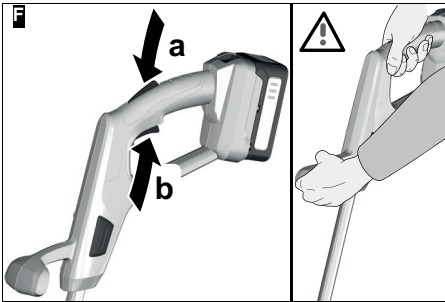
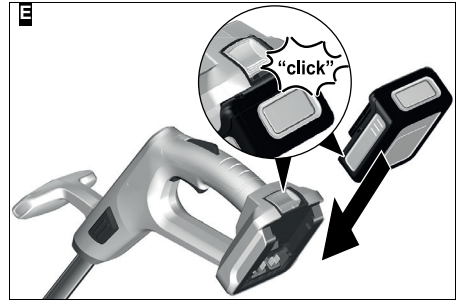
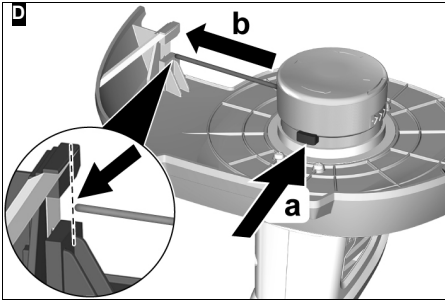
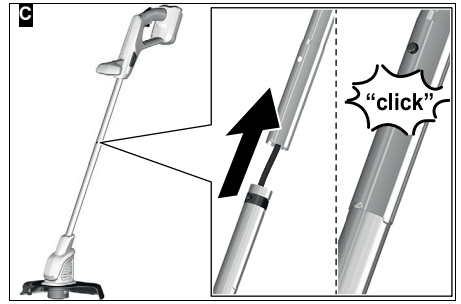
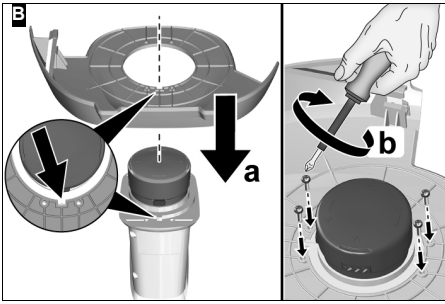


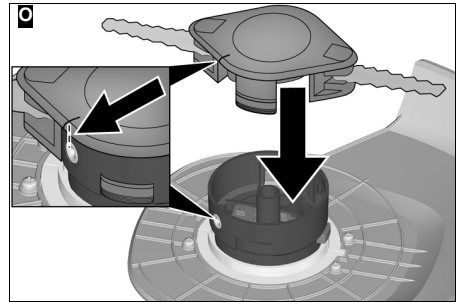
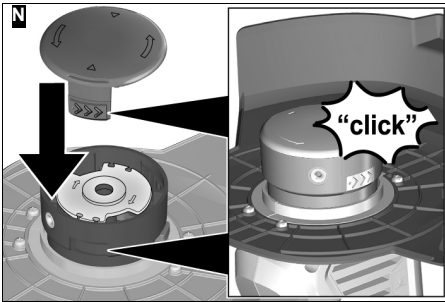
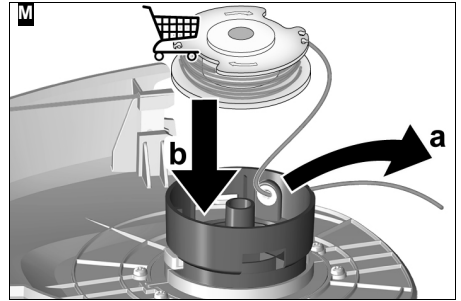
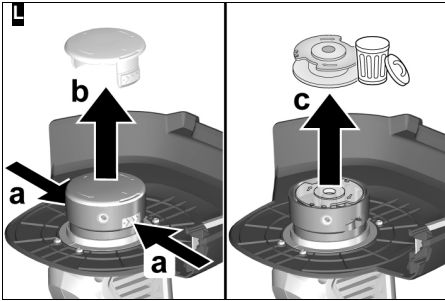
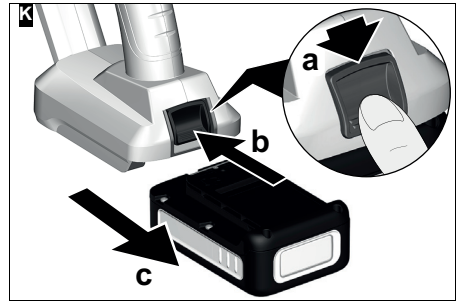
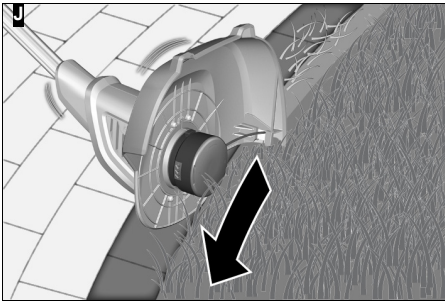
**Register
your product**
www.kaercher.com/welcome

EAC



59693050 (07/20)





Contents

Safety instructions	5
Intended use	6
Environmental protection	7
Accessories and spare parts	7
Scope of delivery	7
Symbols on the device	7
Device description	7
Installation	7
Initial startup	7
Operation	8
Transport	8
Storage	8
Care and service	8
Troubleshooting guide	9
Warranty	9
Technical data	9
Vibration value	9
EU Declaration of Conformity	10

Safety instructions



Read these safety instructions, these original instructions, the safety instructions provided with the battery pack and the operating instructions supplied with the battery pack/standard charger before using the device for the first time. Proceed accordingly. Keep the booklets for future reference or for future owners.

In addition to the notes in the operating instructions, you also need to take into consideration the general safety regulations and accident prevention guidelines applicable by law.

Hazard levels

⚠ DANGER

- Indication of an imminent threat of danger that will lead to severe injuries or even death.

⚠ WARNING

- Indication of a potentially dangerous situation that may lead to severe injuries or even death.

⚠ CAUTION

- Indication of a potentially dangerous situation that may lead to minor injuries.

ATTENTION

- Indication of a potentially dangerous situation that may lead to damage to property.

General safety instructions

⚠ DANGER ● Danger of explosion. The device creates sparks that may ignite dust, gas or vapours. Do not operate the device in explosive atmospheres, such as in the presence of flammable liquids, gases or dusts.

⚠ WARNING ● Danger of accident. Keep your work area clean and well-lit. ● Keep children and other persons out of the work area while you are using the device. ● Risk of electric shock. Protect the device from rain and moisture. ● Avoid switching the device on unintentionally. Make sure that the on/off switch is in the off position before connecting the battery pack, lifting or carrying the device. ● Injuries through an adjustment key left in a rotating part of the tool. Remove the adjust-

ing key before switching the device on. ● Do not run but rather walk when working with the device. Do not walk backwards. Avoid an abnormal posture, keep a stable, safe footing and maintain your balance. ● Never use the device if the on/off switch on the handle does not switch on and off correctly. ● Do not overload the device. ● Keep the cutting tools sharp and clean. Sharp cutting tools are easier to control and do not block so easily. ● Switch the motor off, remove the battery pack and make sure that all moving parts have stopped moving:

- Before making any adjustments.
- Before leaving the device unattended.
- Before checking, cleaning or servicing the device.
- Before removing a blockage or cleaning the ejection chute.
- Before changing accessories.
- After hitting a foreign object. First check the device for damage and repair any damage before restarting the device.
- When the device starts to vibrate unusually. First check the device for damage and repair any damage before restarting the device.

⚠ CAUTION ● You must not operate the device when you are under the influence of medication or drugs which restrict your reactive capacity. Only work with the device when you are well rested and are in good health.

● Wear suitable personal protective equipment when working with the device. Protective equipment such as dust masks, non-slip shoes, safety helmet or hearing protection reduce the risk of injury. ● Wear especially safety glasses and hearing protection. ● Hearing protection can impair your ability to hear warning sounds, so pay attention to hazards in your vicinity and in the work area. ● Wear head protection when working in areas with a danger of falling objects. **WARNING**

● Wear long, heavy trousers, clothing with long arms and non-slip boots when working with the device. Do not work barefoot. Do not wear sandals or short trousers. Avoid wearing loose clothing or clothing with cords and straps. **CAUTION** ● Risk of injury when loose fitting clothing, hair or jewellery is caught by moving parts of the device. Keep clothing and jewellery away from moving parts of the device. Tie long hair back. ● Use the device and accessories only according to these instructions and take the working conditions and the work to be performed into consideration to avoid dangerous situations.

Safe operation

⚠ DANGER ● Severe injuries when objects are flung by the cutting blade or when the cutting tool becomes entangled in wires or cords. Inspect the work area thoroughly for objects such as stones, sticks, metal, wires, bones or toys and remove these before using the device.

⚠ WARNING ● The device is not intended for use by children, persons with restricted physical, sensory or mental abilities or persons unfamiliar with these instructions. ● Use the device only in daylight or under good artificial lighting. ● Do not operate the device on wet grass or in the rain. ● Maintain a minimum distance of 15 m from persons and animals. Stop the device when any persons or animals enter this area. ● Keep the cutting head below the level of your hips. ● Never use the device with damaged or absent safety devices.

- Never use a metallic cutting string.
- Only operate the device outdoors.
- Keep your hands and feet away from the cutting area, especially when switching on the motor.
- Risk of injury because the blades continue rotating after the motor has been switched off.
- Danger of injury. The blade on the protective cover for shortening the cutting string is very sharp and you must avoid touching this, especially when cleaning the device.
- Make sure that the ventilation openings are free of deposits.
- Check the device for damage before each use and after any impacts. Damaged parts, e.g. a switch, must be repaired or replaced by the authorised Customer Service department.
- Ensure that the drive head attachment is correctly fitted and fastened.
- Ensure that all protective devices, deflectors and handles are correctly fitted and securely fastened.
- Check that the string cutter is correctly positioned and secured each time before use.
- Use only replacement strings from the original manufacturer. Do not use any other cutting attachment.
- Danger of injury. Do not make any modifications to the device.

Note ● Regulations may restrict the use of this device in some regions. Seek advice from your local authorities.

Safe servicing and care

⚠ WARNING ● After pushing out a new string, bring the device into the normal operating position before switching it on.

- Ensure that the device is in a safe condition by regularly checking that all bolts, nuts and screws are screwed tight.
- Check that the moving parts function correctly and are not blocked, and that no parts are broken or damaged. Have a damaged device repaired before using it.
- Switch the motor off, remove the battery pack and make sure that all moving parts have stopped moving:
- Before cleaning or servicing the device.
- Before changing accessories.

⚠ CAUTION ● Only use accessories and spare parts which are approved by the manufacturer. Only original accessories and original spare parts ensure that the appliance will run fault-free and safely.

ATTENTION ● Clean the product with a soft, dry cloth each time after use.

Note ● Service and maintenance work may only be performed by suitably qualified and specially trained personnel. We recommend sending the product to an authorised service centre for repair.

- You may only perform the adjustments and repairs described in these operating instructions. Contact your authorised Customer Service department for other repairs.
- Have damaged or illegible warning signs on the device replaced by the authorised Customer Service department.

Safe transport and storage

⚠ WARNING ● Switch the device off, allow it to cool down and remove the battery pack before storage or transportation.

⚠ CAUTION ● Risk of injury and damage to the device. Secure the device against movement or falling down during transport.

ATTENTION ● Remove all foreign bodies from the device before storage or transportation.

- Store the device in a dry, well ventilated location out of the reach

of children. Keep the device away from corrosive substances such as garden chemicals.

- Do not store the device outdoors.

Residual risks

⚠ WARNING

- Certain residual risks remain present, even when the device is operated in the prescribed manner. The following dangers can be present when using the device:
- Vibration can cause injuries. Use the correct tools for the job, use the handles provided and restrict the working time and hazard exposure time.
- Noise can cause hearing injuries. Wear hearing protection and limit the duration of exposure.
- Injuries due to flung objects.

Risk reduction

⚠ CAUTION

- Using the device for longer periods can cause poor circulation in the hands due to vibrations. A general period of use cannot be set, because this depends on several influencing factors:
 - Personal tendency to suffer from poor circulation (frequently cold fingers, tingling sensation in the fingers)
 - Low ambient temperature. Wear warm gloves to protect your hands.
 - Holding the device too tightly hindering blood circulation.
 - Continuous operation is more harmful than operation interrupted by work breaks.
- You should see a doctor if using the device regularly and for lengthy periods of time, and in the event of repeated occurrences of symptoms such as tingling in the fingers or cold fingers.

Intended use

⚠ DANGER

Improper use

Risk of fatal injury from incision injuries
Only use the device for its proper use.

Never use metal blades such as saw blades or brush blades.

⚠ WARNING

Flying objects

Risk of injury and damage

Maintain a minimum distance of 15 m from persons, animals and other objects.

- The device is intended for outdoor use.
- The device can be used for trimming grass along walls, fences, trees and on edgings.
- The device can also be used for mowing in places that are difficult to access with lawnmowers, e.g. ditches, slopes and clearings.
- Modifications and changes not authorised by the manufacturer are prohibited.
- Never use the device in a wet environment or in the rain.
- Never mow wet grass or other growth.

Environmental protection



The packing materials can be recycled. Please dispose of packaging in accordance with the environmental regulations.



Electrical and electronic appliances contain valuable, recyclable materials and often components such as batteries, rechargeable batteries or oil, which - if handled or disposed of incorrectly - can

pose a potential threat to human health and the environment. However, these components are required for the correct operation of the appliance. Appliances marked by this symbol are not allowed to be disposed of together with the household rubbish.

Notes on the content materials (REACH)

Current information on content materials can be found at: www.kaercher.com/REACH

Accessories and spare parts

Only use original accessories and original spare parts. They ensure that the appliance will run fault-free and safely.

Information on accessories and spare parts can be found at www.kaercher.com.

Scope of delivery

The scope of delivery for the appliance is shown on the packaging. Check the contents for completeness when unpacking. If any accessories are missing or in the event of any shipping damage, please notify your dealer.

Symbols on the device



Follow all warning notices and safety instructions. Read and comprehend all instructions before using the product.



Always wear suitable eye protection and hearing protection when working with the device.



Do not subject the device to rain or moist conditions.



Do not use saw blades or metal blades.



Danger due to flung objects. Keep a safe distance away.



Hand injuries from sharp cutting tool.

Device description

The maximum amount of equipment is described in these operating instructions. Depending on the model used, there are differences in the scope of delivery (see packaging).

For the illustrations, refer to the graphics page

Illustration A

- ① Cutting string
- ② Cutting edge
- ③ String guard
- ④ Lower shaft
- ⑤ Front handle
- ⑥ Rear handle
- ⑦ Unlocking button
- ⑧ Battery pack release
- ⑨ Type plate
- ⑩ Power switch
- ⑪ Shaft release
- ⑫ Upper shaft
- ⑬ Reel cover release
- ⑭ Reel cover
- ⑮ Cutting tool
 - a) String reel
 - b) *Trimmer blade
- ⑯ Button for releasing the string
- ⑰ Eye
- ⑱ *Quick Charger Battery Power 18 V
- ⑲ *Standard Charger Battery Power 18 V
- ⑳ *Rechargeable battery pack

* optional

Rechargeable battery pack

The device can be operated with a Kärcher 18 V Battery Power battery pack.

Installation

Installing the string guard

⚠ WARNING

Blade on the string guard

Incision injuries

Install the string guard before using the device for the first time.

⚠ WARNING

Exposed string

Incision injuries

Never use the device without the string guard.

Illustration B

The string guard must face the operator.

1. Insert the string guard into the bracket.
2. Screw the string guard to the bracket.

Installing shaft

1. Connect the upper and lower shaft segments.
- Illustration C**

Initial startup

Adjusting the string length

1. Press the button for releasing the string and pull the string out of the string reel and up to the cutting edge.

Illustration D

Installing the battery pack

1. Push the battery pack into the mounting in the device until it audibly latches into place.

Illustration E

Operation

Working techniques

CAUTION

Obstacles in the mowing area

Risk of injury and damage

Before starting mowing, check the work area for objects that may be flung away, e.g. wires, stones, cords or glass.

1. Press the unlocking button.

Illustration F

2. Press the power switch.
The device starts up.
3. Guide the cutting head parallel to the ground.
4. Guide the device in a semi-circular movement over the cutting area.
5. Mow long grass in several passes.

Extending the string length during operation

The string on the device wears during mowing and becomes shorter due to fraying and being torn off. A string that is too short will result in unsatisfactory mowing results.

Note

The string length can be extended during operation.

1. Release the unlocking button and power switch.

Illustration G

2. Press the unlocking button and power switch.
The string extends automatically and is automatically trimmed to the correct length by the cutting blade.

Illustration H

Note

You must replace the string reel if the string no longer extends automatically (see Chapter *Replacing the string reel*).

Mowing edges

1. Remove the battery pack (see Chapter *Removing the battery pack*).
2. Press the shaft release.

Illustration I

3. Turn the shaft by 180°.
4. Mount the battery pack (see Chapter *Installing the battery pack*).
5. Press the unlocking button.
6. Press the power switch.
7. Mow the edge regions.

Illustration J

Changing the cutting tool

The string reel and the trimmer blade are available as cutting tools.

1. Remove the battery pack (see Chapter *Removing the battery pack*).
2. Remove the unneeded cutting tool and fit the desired cutting tool (see Chapter *Replacing the cutting tool*).

Removing the battery pack

Note

During longer work breaks, remove the battery pack from the device and secure it against unauthorised use.

1. Pull the battery pack unlocking button in the direction of the battery pack.

Illustration K

2. Press the battery pack unlocking button to unlock the battery pack.
3. Remove the battery pack from the device.

Finishing operation

1. Remove the battery pack from the device (see Chapter *Removing the battery pack*).
2. Clean the device (see Chapter *Cleaning the device*).

Transport

CAUTION

Failure to observe the weight

Risk of injury and damage

Be aware of the weight of the device during storage.

1. Remove the battery pack (see Chapter *Removing the battery pack*).
2. Secure the device against slipping and tipping over when transporting in vehicles.

Storage

Clean the device before storing (see Chapter *Cleaning the device*).

1. Store the device in a dry, well ventilated location.
Keep away from corrosive substances such as garden chemicals and defrosting salt. Do not store the device outdoors.

Care and service

CAUTION

Uncontrolled startup

Incision injuries

Remove the battery from the device before all work on the device.

CAUTION

Risk of injury from sharp blades

Wear safety goggles and protective gloves when working on the device.

Cleaning the device

1. Remove any remaining cutting residue from the string guard and the cutting head.
2. Clean the device components with a damp cloth if required.
3. Clean the battery mount and electric contacts of dirt and foreign bodies regularly.

Replacing the cutting tool

Replacing the string reel

1. Press the string reel cover unlocking mechanism and remove the string reel cover.

Illustration L

2. Remove and dispose of the string reel.
3. Feed the end of the string on the new string reel through the eye.

Illustration M

4. Fit the string reel in the support.
5. Fit the string reel cover in the support. Take care to ensure that the string reel cover audibly latches into place.

Illustration N

6. Adjust the string length (see Chapter *Initial startup*).

Replacing the trimmer blade

1. Press the trimmer blade unlocking mechanism and remove the trimmer blade.
2. Fit the new trimming blade into the support. Note the correct position via the marking.

Illustration O

Troubleshooting guide

Malfunctions often have simple causes that you can remedy yourself using the following overview. When in doubt, or in the case of malfunctions not mentioned here, please contact your authorised Customer Service.

As the battery pack ages, even if it is looked after, its capacity reduces such that the full run time will no longer be reached when fully charged. This does not indicate a defect.

Fault	Cause	Rectification
The device does not start up	Battery pack is not inserted correctly.	● Push the battery pack into the mounting until it latches into place.
	Battery pack is empty	● Charge the battery pack.
	Battery pack is defective.	● Replace the battery pack.
The device stops during operation	String is too long and is causing the motor to overload	● Install the string guard. The string will automatically be shortened.
	Cutting head blocked by cutting residue	● Remove the cutting residue.
	Motor is overloaded	● Mow only suitable cutting material, see Chapter <i>Intended use</i> .
	Motor has overheated	● Stop working and allow the motor to cool down.
	The battery has overheated	● Stop working and allow the battery to cool down to normal battery temperature.

Warranty

The warranty conditions issued by our relevant sales company apply in all countries. We shall remedy possible malfunctions on your appliance within the warranty period free of cost, provided that a material or manufacturing defect is the cause. In a warranty case, please contact your dealer (with the purchase receipt) or the next authorised customer service site. (See overleaf for the address)

Technical data

		LTR 18-25
Device performance data		
Working voltage of the battery	V	18
Working width	mm	250
Cutting string, diameter	mm	1,6
Max. speed (± 100)	/min	9500
Determined values in acc. with EN 50636-2-91		
Sound pressure level L_{pA}	dB(A)	76,8
Uncertainty K_{pA}	dB(A)	3,0
Sound power level $L_{WA} + K$ uncertainty _{WA}	dB(A)	94
Front handle hand-arm vibration value	m/s^2	0,3
Rear handle hand-arm vibration value	m/s^2	0,5
Uncertainty K	m/s^2	1,5
Dimensions and weights		
Length x width x height	mm	1184 x 296 x 286
Weight (without battery pack)	kg	1,5

Subject to technical modifications.

Vibration value

⚠ WARNING

The specified vibration value was measured using a standard test procedure and may be used to compare devices.

The specified vibration value may be used in a provisional assessment of the load.

Depending on the way the device is used, the vibration emission can deviate from the specified overall value during the current use of the device.

Device with a hand-arm vibration value > 2.5 m/s^2 (see chapter *Technical Data* in the operating instructions)

⚠ **CAUTION** ● *Uninterrupted use of the device for several hours can lead to numbness.* ● *Wear warm gloves to protect your hands.* ● *Take regular breaks from work.*

EU Declaration of Conformity

We hereby declare that the machine described below complies with the relevant basic safety and health requirements in the EU Directives, both in its basic design and construction as well as in the version placed in circulation by us. This declaration is invalidated by any changes made to the machine that are not approved by us.

Product: Battery-operated Lawn trimmer/Edge trimmer
Type: LTR 18-25 Battery 1.444-30x.0

Currently applicable EU Directives

2000/14/EC (+2005/88/EC)
2006/42/EC (+2009/127/EC)
2011/65/EU
2014/30/EU

Harmonised standards used

EN 60335-1:2012+A11:2014+A13:2017
EN 50636-2-91:2014
EN 50581: 2012
EN 55014-1: 2017
EN 55014-2: 2015

Conformity evaluation procedure used

2000/14/EC and amended by 2005/88/EC: Annex VI

Name and address of the notified body involved

Société Nationale de Certification et d'Homologation 2
a. Kalchesbruck
2a. Kalchesbruck
L-1852 Luxembourg
ID no. 0499

Sound power level dB(A)

Measured:92,3
Guaranteed:94

The signatories act on behalf of and with the authority of the company management.



H. Jenner

Chairman of the Board of Management



S. Reiser

Director Regulatory Affairs & Certification

Documentation supervisor: S. Reiser

Alfred Kärcher SE & Co. KG
Alfred-Kärcher-Str. 28 - 40
71364 Winnenden (Germany)
Ph.: +49 7195 14-0
Fax: +49 7195 14-2212
Winnenden, 2018/07/01

البيانات الفنية

LTR 18-25

أداء الجهاز		
18	V	جهد تشغيل البطارية
250	mm	عرض العمل
1,6	mm	خط القطع، قطر
9500	/min	حد أقصى لسرعة الدوران (±100)
القيم المسجلة وفقاً للمواصفة EN 50636-2-91		
76,8	dB(A)	مستوى انبعاث الصوت L_{pA}
3,0	dB(A)	قيمة الشك K_{pA}
94	dB(A)	مستوى قدرة الصوت L_{WA} + قيمة الشك K_{WA}
0,3	m/s ²	قيمة الاهتزاز على اليد - الساعد بالمقبض الأمامي
0,5	m/s ²	قيمة الاهتزاز على اليد - الساعد بالمقبض الخلفي
1,5	m/s ²	K قيمة الشك
الأبعاد الوزن		
1184 x 296 x 286	mm	الطول x العرض x الارتفاع
1,5	kg	الوزن (بدون علبة بطارية)

المواصفات الفنية خاضعة للتعديل.

قيمة الاهتزاز

⚠ تحذير

تم قياس قيمة الاهتزاز المذكورة باستخدام طريقة اختبار قياسية ويمكن استخدامها لمقارنة الأجهزة. يمكن أن يتم استخدام قيمة الاهتزاز المذكورة للتقييم المؤقت للعبء.

اعتماداً على نوع وكيفية تشغيل الجهاز، يمكن أن يختلف انبعاث الذبذبات أثناء الاستخدام الحالي للجهاز عن القيمة المذكورة.

الأجهزة التي تصدر قيمة اهتزاز لليد أو الذراع < 2,5 م/م² (انظر فصل البيانات الفنية في دليل التشغيل)

⚠ **تنويه** • يمكن أن يؤدي استعمال الجهاز لعدة ساعات دون انقطاع إلى ظهور شعور بالتحذير. • استخدم قفازات دافئة لحماية اليدين. • عليك التوقف للاستراحة بشكل منتظم.

العناية والصيانة

⚠️ تنويه

بدء التشغيل بدون تحكم

إصابات بجروح
قم بإزالة البطارية من الجهاز قبل القيام بأي أعمال على الجهاز.

⚠️ تنويه

خطر الإصابة نتيجة الشفرة الحادة

ارتد نظارات واقية وواقي السمع في جميع الأعمال على الجهاز.

تنظيف الجهاز

1. قم بإزالة بقايا جز الحشائش من واقى الخيط والرأس القاطع.
2. مسح أجزاء الجهاز باستخدام فوطة رطبة.
3. يجب إزالة الاتساخات والأجسام الغريبة بانتظام من موضع البطارية والملامسات الكهربائية.

استبدال أداة القطع

استبدال بكرة الخيط

1. الضغط على وسيلة تحرير غطاء البكرة ثم إزالة غطاء البكرة.
2. صورة إيضاحية L إزالة بكرة الخيط والتخلص منها.
3. إدخال طرف الخيط لبكرة الخيط الجديدة عبر الفتحة.
4. صورة إيضاحية M تركيب بكرة الخيط في الحامل.
5. وضع غطاء البكرة على الحامل. الحرص على مراعاة ثبات غطاء البكرة في مكانها بشكل مسموع.
6. صورة إيضاحية N ضبط طول الخيط (انظر الفصل بدء التشغيل).

استبدال شفرة الحف

1. الضغط على وسيلة تحرير شفرة الحف ثم إزالتها.
 2. تركيب شفرة الحف الجديدة في الحامل. الحرص على الموضع الصحيح عن طريق العلامة.
- صورة إيضاحية O

مساعدة في حالة حدوث أعطال

مع مرور الزمن ستتخفف سعة البطارية حتى مع العناية الجيدة، بحيث لا يتم الوصول لزمن التشغيل الكامل حتى عندما تكون البطارية مشحونة بشكل كامل أيضاً. هذا لا يعد عيباً.

خطأ	السبب	حل المشكلة
الجهاز لا يعمل	علبة البطارية غير مركبة بشكل صحيح.	• دفع علبة البطارية حتى تثبت في مكانها.
	علبة البطارية فارغة.	• شحن علبة البطارية.
	علبة البطارية معطلة.	• استبدال علبة البطارية.
الجهاز يتوقف أثناء التشغيل	الخيط طويل للغاية وبسبب التحميل الزائد على المحرك	• تركيب واقى الخيط. • يتم تقصير الخيط تلقائياً.
	الرأس القاطع مسدود بسبب بقايا المواد المقطوعة	• قم بإزالة بقايا المواد المقطوعة.
	حمل زائد على المحرك	• جز مواد مناسبة فقط، انظر فصل الاستخدام المطابق للتعليمات.
	المحرك ساخن للغاية	• إيقاف العمل، وترك المحرك حتى يبرد.
	البطارية ساخنة للغاية	• إيقاف العمل والانتظار حتى تصبح درجة حرارة علبة البطارية في النطاق الطبيعي.

الضمان

يسري في كل دولة شروط الضمان التي تضعها شركة التسويق المتخصصة التابعة لنا. نحن نتولى إصلاح الأخطاء التي قد تطرأ على جهازك خلال فترة الضمان بدون مقابل، عندما يكون سبب هذه الأعطال ناجم عن عيب في المواد المستخدمة أو في عملية التصنيع. في حالة استحقاق الضمان، توجه من فضلك بقسيمة الشراء إلى أقرب موزع أو مركز خدمة عملاء معتمد. (العنوان على الصفحة الخلفية)

خطر عن طريق الأشياء المتطايرة. حافظ على مسافة
ما.



إصابة بجروح عن طريق أداة قطع حادة.



مواصفات الجهاز

يتم في دليل التشغيل هذا شرح التجهيزات الكاملة. وفقاً للموديل،
ستكون هناك اختلافات في نطاق التوريد (انظر العبوة).
الأشكال. انظر صفحة الصور

صورة إيضاحية A

- ① خيط القطع
 - ② حافة القطع
 - ③ وافي الخيط
 - ④ ساق سفلية
 - ⑤ المقبض الامامي
 - ⑥ المقبض الخلفي
 - ⑦ زر التحرير
 - ⑧ وسيلة تحرير علبه البطارية
 - ⑨ لوحة الطراز
 - ⑩ مفتاح الجهاز
 - ⑪ ساق التحرير
 - ⑫ ساق علوية
 - ⑬ وسيلة تحرير غطاء البكرة
 - ⑭ غطاء البكرة
 - ⑮ أداة القطع
(a) بكرة الخيط
(b) شفرة الحف
 - ⑯ زر لحل الخيط
 - ⑰ حلقة
 - ⑱ *جهاز شحن سريع لبطارية بقوة ب 18 فولط
 - ⑲ *جهاز شحن قياسي لبطارية بقوة ب 18 فولط
 - ⑳ *علبة بطارية قابلة لإعادة الشحن
- * اختياري

علبة البطارية

يمكن أن يتم استخدام الجهاز علبه البطارية بقوة ب 18 فولط مع علبه
البطارية.

التركيب

تركيب وافي الخيط

⚠ تحذير

شفرة بواقى الخيط

إصابات بجروح
ركب وافي الخيط قبل أول تشغيل للجهاز.

⚠ تحذير

خيوط مكشوفة

إصابات بجروح

لا تستخدم الجهاز بدون وافي للخيط أبداً.

صورة إيضاحية B

يجب أن يشير وافي الخيط نحو المشغل.

1. إدخال وافي الخيط بالحامل.
2. توصيل وافي الخيط مع الحامل بالبراغي.

تركيب الساق

1. توصيل الساق العلوية مع السفلية.
صورة إيضاحية C

بدء التشغيل

ضبط طول الخيط

1. الضغط على زر فك الخيط وشد الخيط حتى حافة القطع من
بكرة الخيط.
صورة إيضاحية D

تركيب علبه البطارية

1. دفع علبه البطارية في مكان الإدخال بالجهاز حتى تثبت.
صورة إيضاحية E

الاستعمال

تقنيات العمل

⚠ تنويه

عقبات في نطاق القص

خطر الإصابة وخطر التعرض لأضرار
تحقق من عدم وجود أي أشياء في نطاق العمل قبل البدء بقص
العشب على سبيل المثال أسلاك أو حجارة أو خيوط أو زجاج.

1. اضغط على زر التحرير.
صورة إيضاحية F
2. الضغط على مفتاح الجهاز.
الجهاز يعمل.
3. تمرير الرأس القاطع بالتوازي مع الأرض.
4. تمرير الجهاز عند الجز في حركة هوائية الشكل فوق المواد
المراد قطعها.
5. جز ارتفاع العشب على عدة خطوات.

تطويل طول الخيط أثناء التشغيل

يتآكل الخيط عند الجز ويصبح أقصر نتيجة التشنج والتمزق. يؤدي
استخدام الخيط شديد القص الى نتيجة جز غير مرضية.

إرشاد

يمكن تطويل طول الخيط أثناء التشغيل.

1. تحرير زر التحرير وزر الجهاز.
صورة إيضاحية G
2. الضغط على زر التحرير وزر الجهاز.
يتم تطويل الخيط أوتوماتيكياً ويتم تقصيره بشفرة القص حسب
الطول المناسب.

صورة إيضاحية H

إرشاد

إذا لم يتم تطويل الخيط أوتوماتيكياً، يجب استبدال بكرة الخيط
(انظر فصل استبدال بكرة الخيط).

جز منطقة الحافة

1. إزالة علبه البطارية (انظر الفصل إزالة علبه البطارية).
2. الضغط على ساق التحرير.
3. صورة إيضاحية I
4. إدارة الساق 180°.
5. تركيب علبه البطارية (انظر الفصل تركيب علبه البطارية).
6. اضغط على زر التحرير.
7. الضغط على مفتاح الجهاز.
7. جز منطقة الحافة.

صورة إيضاحية J

تغيير أداة القطع

- يتوفر لأداة القطع كل من بكرة الخيط وشفرة الجز.
1. إزالة علبه البطارية (انظر الفصل إزالة علبه البطارية).
 2. إزالة أداة القطع غير المستخدمة وتركيب أداة القطع المرغوبة
(انظر فصل استبدال أداة القطع).

الاستخدام المطابق للتعليمات

خطر

الاستخدام غير المطابق للتعليمات

خطر على الحياة بسبب الإصابة بجروح
استخدم الجهاز وفقا للغرض المحدد له فقط.
لا تستخدم أي شفرة معدنية مثل أنصاف المناشير أو شفرات مجتحة.

تحذير

أشياء متطيرة

خطر الإصابة وخطر التعرض لأضرار
عليك الحفاظ على وجود مسافة لا تقل عن 15 متر عن الأشخاص
والحيوانات والأشياء.

- الجهاز مخصص للعمل في الهواء الطلق.
- يمكن استخدام الجهاز لتخفيف الحشائش التي تنمو على طول الجدران أو الأسوار أو الأشجار أو الحواف.
- يمكن أيضا استخدام الجهاز للجز في المواقع التي يصعب الوصول إليها باستخدام جزازة العشب مثل الحفر والمنحدرات وأراضي الغابات.
- يحظر إجراء أي تعديلات أو تغييرات غير مصرح بها من الجهة الصانعة.
- عدم استخدام الجهاز في بيئة رطبة أو ممطرة.
- عدم جز الأشياء الرطبة.

حماية البيئة

المواد المستخدمة في التغليف قابلة لإعادة التدوير. يرجى التخلص من مواد التغليف بطريقة تحافظ على البيئة.
تحتوي الأجهزة الكهربائية والإلكترونية مواد قيمة قابلة لإعادة التدوير وغالبا على أجزاء مثل البطاريات، متراكبات أو الزيوت والتي قد تشكل خطورة على صحة الإنسان والبيئة في حالة التعامل معها أو تم التخلص منها بصورة خاطئة. إلا أن هذه الأجزاء ضرورية لتشغيل الجهاز بصورة سليمة. لا يجوز التخلص من الأجهزة المميزة بهذا الرمز مع النفايات المنزلية.

إرشادات حول مواد المحتويات (REACH)

تجد المعلومات الحالية حول مواد المحتويات على الموقع:
www.kaercher.com/REACH

الملحقات التكميلية وقطع الغيار

استخدام الملحقات التكميلية الأصلية وقطع الغيار الأصلية فقط، والتي تضمن تشغيل الجهاز بشكل آمن وخال من الاختلالات. تجد المعلومات الخاصة بالملحقات التكميلية وقطع الغيار على الموقع www.kaercher.com.

محتوى التسليم

محتوى تسليم الجهاز مصور على العبوة. تأكد من وجود جميع محتويات العبوة عند فتحها. وفي حالة نقص أية ملحقات تكميلية أو اكتشاف أي تلف بها ناتج عن عملية النقل، يرجى إخطار البائع.

رموز على الجهاز

اتبع جميع التحذيرات وإرشادات السلامة. اقرأ وأفهم جميع التعليمات قبل استعمال المنتج.

ارتد واقي للسمع ونظارات واقية مناسبة أثناء استخدام الجهاز.

لا تعرض الجهاز للمطر أو لظروف رطبة.

لا تستخدم شفرات المنشار أو شفرات معدنية.

صيانة وعناية آمنة

تحذير ● اضبط الجهاز بعد إخراج خيط جديد على موضع التشغيل العادي قبل بتشغيل الجهاز. ● تأكد من أن الجهاز في حالة سليمة عن طريق إجراء فحص على فترات منتظمة إذا كانت الخوارج والصواميل والبراغي مشدودة بشكل محكم. ● تحقق من أن الأجزاء المتحركة تعمل بشكل سليم وغير مسدودة، أو من وجود أجزاء متكرسة أو تالفة. اعهذ بإصلاح الجهاز التالف قبل استخدامه. ● قم بإيقاف المحرك ثم قم بإزالة علبة البطارية وتأكد من أن جميع الأجزاء المتحركة متوقفة بالكامل: ● قبل تنظيف الجهاز أو صيائه. ● قبل تغيير قطع الملحقات.

تنويه ● لا تستخدم إلا الملحقات وقطع الغيار المصرح بها من الجهة الصانعة. الملحقات التكميلية الأصلية وقطع الغيار الأصلية تضمن تشغيل الجهاز بشكل آمن وخال من الاختلالات.

تنبيه ● نظّف المنتج بعد كل استعمال باستخدام فوطة ناعمة وجافة.

إرشاد ● لا يُسمح بإجراء أعمال الخدمة والصيانة إلا من قبل عمال متخصصين وموهلين لذلك فقط. ننصح بأن يتم إرسال المنتج إلى مركز خدمة معتمد لإصلاحه. ● يسمح لك بإجراء الإعدادات والإصلاحات الموصحة في دليل التشغيل هذا فقط. اتصل بمركز خدمة العملاء المعتمد الذي تتعامل معه بشأن الإصلاحات الإضافية. ● اعهذ باستبدال علامات التحذير أو غير المقروءة على الجهاز إلى خدمة العملاء المعتمدة.

النقل والتخزين الآمن

تحذير ● قم بإيقاف الجهاز واتركه يبرد و قم بإزالة علبة البطارية قبل تخزينه أو نقله.

تنويه ● خطر الإصابة وحدث تلفيات بالجهاز. قم بتأمين الجهاز ضد الحركة أو السقوط عند إجراء عملية النقل.

تنبيه ● قم بإزالة جميع الأجسام الغريبة من الجهاز قبل نقله أو تخزينه. ● قم بتخزين الجهاز في مكان جاف ذا تهوية جيدة ولا يمكن للأطفال الوصول إليه. ابعذ الجهاز عن المواد المسببة للتآكل مثل المواد الكيميائية للحدائق. ● لا تخزن الجهاز في مكان خارجي.

مخاطر متبقية

تحذير

● حتى وإن تم استخدام الجهاز كما هو منصوصا عليه، إلا أن بعض المخاطر تبقى موجودة. من المحتمل أن تنشأ المخاطر التالية عند استخدام الجهاز: ● يمكن أن يسبب الاهتزاز باصابات. استخدم لكل عمل الأداة المناسبة، استخدم المقيض المخصص لذلك وحدد فترة العمل والتعرض. ● يمكن أن تؤدي الضوضاء إلى أضرار بالسمع. ارتد واقي للسمع وحدد قدرة التحمل. ● إصابات ناجمة عن الأشياء المتطارية.

تقليل المخاطر

تنويه

● قد يؤدي استخدام الجهاز لفترة طويلة متواصلة إلى حدوث مشاكل بمران الدورة الدموية في اليدين وذلك بسبب الاهتزازات. لا يمكن أن يتم تحديد فترة الاستخدام بشكل عام، لأن ذلك يتعلق بعدة عوامل مؤثرة: ● استعداد شخصي لضعف الدورة الدموية (غالبا أصابع باردة، وخز في الأصابع) ● درجة حرارة المحيط المنخفضة. استخدم قفازات دافئة لحماية اليدين. ● يتم عن طريق مسك الجهاز بشكل قوي منع دوران الدورة الدموية. ● تكون عملية الاستخدام المتواصلة أكثر ضررا من الاستخدام المنقطع من خلال وفقات الاستراحة. ● عند استخدام الجهاز بشكل منظم ولفترات طويلة وحينها يتكرر ظهور عوارض مثل تميل الأصابع، أصابع باردة، ينبغي عليك مراجعة الطبيب.

المحتويات

11	إرشادات السلامة
12	الاستخدام المطابق للتعليمات
12	حماية البيئة
12	الملحقات التكميلية وقطع الغيار
12	محتوى التسليم
12	رموز على الجهاز
13	مواصفات الجهاز
13	التركيب
13	بدء التشغيل
13	الاستعمال
14	النقل
14	التخزين
14	العناية والصيانة
14	مساعدة في حالة حدوث أعطال
14	الضمان
15	البيانات الفنية
15	قيمة الاهتزاز

دائماً على أن تكون أدوات القطع حادة ونظيفة. التحكم بأدوات القطع يكون أسهل ولا تتسد بسهولة. ● قم بإيقاف المحرك، إزالة علب البطارية وتأكد من أن جميع الأجزاء المنحركة متوقفة بالكامل:

- قبل إجراء الإعدادات.
- قبل ترك الجهاز بدون مراقبة.
- قبل فحص الجهاز، تنظيفه أو صيانته.
- قبل إزالة انسداد أو تنظيف فتحة الإخراج.
- قبل تغيير قطع الملحقات.
- بعد إصابة جسم غريب، تحقق أولاً من الأضرار بالجهاز ثم قم بإصلاح هذه قبل إعادة تشغيل الجهاز.
- إذا اهتز الجهاز بشكل غير طبيعي، تحقق أولاً من الأضرار بالجهاز ثم قم بإصلاح هذه قبل إعادة تشغيل الجهاز.

⚠ تنويه ● يجب عليك عدم استخدام الجهاز إذا كنت تحت تأثير الأدوية أو المخدرات، التي تحد من القدرة على ردة الفعل. لا تستخدم الجهاز إلا عندما تكون في حالة صحية وعقلية جيدة فقط.

- ارتد معدات حماية مناسبة عند العمل بالجهاز. معدات الحماية مثل أقنعة الحماية من الغبار أذنية ضد الانزلاق، خوذة حماية أو واقي للسمع تقلل من خطر الإصابة. ● استخدم تجهيزات حماية كاملة للنظر والسمع. ● من المحتمل أن تعيق حماية القدرة على سماع أصوات التحذير، لذلك احرص على معرفة المخاطر المحتملة التي تتواجد بالقرب وفي مكان العمل. ● ارتد خوذة واقية للراس أثناء العمل في الأماكن التي يوجد فيها خطر سقوط أشياء **تحذير** ● ارتد عند استخدام الجهاز سروال طويل ونظف، ملابس ذات أكمام طويلة وحزمة ضد الانزلاق. لا تعمل حافي القدمين. لا ترتدي الصنادل أو السراويل القصيرة. تجنب ارتداء ملابس فضفاضة أو ملابس مزودة بأربطة وأشرطة. **تنويه** ● خطر الإصابة عند التقاط أجزاء الجهاز المنحركة للملابس الفضفاضة أو الشعر أو الخلي. بعد الملابس والخلي عن الأجزاء المنحركة للماكينة. أربط الشعر الطويل إلى الخلف. ● استخدم الجهاز وملاحقته وفقاً لهذه التعليمات فقط، مع مراعاة ظروف العمل والعمل الذي يمتنع إنجازها لتجنب مواقف خطيرة.

إرشادات السلامة



اقرأ قبل أول استخدام للجهاز إرشادات السلامة هذه، ودليل التشغيل الأصلي هذا، وإرشادات السلامة المرفقة بعلبة البطارية وكذلك دليل التشغيل الأصلي المرفق بعلبة البطارية / جهاز الشحن القياسي. ثم تصرف طبقاً لذلك. حافظ على الكتيبات الخاصة للاستخدام لاحقاً أو تسليمهما للمالك اللاحق.

عليك إلى جانب الإرشادات الواردة في دليل التشغيل مراعاة القواعد العامة للسلامة والوقاية من الحوادث والتي يحددها المشرع القانوني.

درجات الخطر

⚠ خطر

● إشارة إلى خطر مباشر وشيك الحدوث وقد يؤدي إلى إصابات جسدية بالغة أو إلى الوفاة.

⚠ تحذير

● إشارة إلى موقف قد تحفه المخاطر وقد يؤدي إلى إصابات جسدية بالغة أو إلى الوفاة.

⚠ تنويه

● إشارة إلى موقف قد تحفه المخاطر وقد يؤدي إلى إصابات بسيطة.

تنبيه

● إشارة إلى موقف قد تحفه المخاطر وقد يؤدي إلى حدوث أضرار مادية.

إرشادات السلامة العامة

⚠ خطر

● خطر الانفجار ● خطر الجهاز الشرير والتي يمكنها أن تشعل الغبار أو البخر. لا تستخدم الجهاز في المناطق القابلة للانفجار والتي يتواجد فيها سوائل قابلة للاشتعال أو غازات أو أعيرة.

⚠ تحذير

● خطر الحوادث. عليك المحافظة على النظافة والإضاءة الجيدة لمنطقة العمل الخاصة بك. ● عليك إبعاد الأطفال والأشخاص الآخرين من منطقة العمل أثناء استخدامك للجهاز. ● خطر الصعق الكهربائي. عليك حماية الجهاز من المطر والرطوبة. ● تجنب التشغيل غير المقصود. تأكد من أن زر التشغيل/الإيقاف يتواجد في وضع الإيقاف قبل توصيل علب البطارية، قبل رفع أو حمل الجهاز. ● إصابات ناجمة عن مفتاح الضبط الذي لا يزال على الجزء الدوار للأداة. قم بإزالة مفتاح الضبط قبل تشغيل الجهاز. ● لا تسرع بالمشي بل امشي ببطء عند العمل باستخدام الجهاز لا تمشي للخلف. تجنب حماية الجسم غير الطبيعي وضع تأمين مكان وقوفك بشكل آمن وحافظ على التوازن. ● لا تستخدم الجهاز أبداً إذا لم يكن مفتاح التشغيل/الإيقاف بالمقبض يعمل أو يتوقف بشكل صحيح. ● لا تحمل الجهاز أكثر من طاقته. ● حافظ

تشغيل آمن

⚠ خطر ● حدوث إصابات خطيرة عند تصابيح أشياء من شفرة القطع أو عند إنقاف سلك أو حبل على أداة القطع. تحقق بدقة من مكان العمل قبل الاستخدام بعدم وجود أي أشياء مثل الحجارة، العصى، المعادن، أسلاك، عظام أو ألعاب ويجب إزالة هذه إذا وجدت.

⚠ تحذير

● يمنع استخدام هذا الجهاز من قبل الأطفال أو الأشخاص الذين يعانون من أية إعاقة بدنية أو حسية أو عقلية أو من ليس لديهم الخبرة والمعرفة. ● استخدم الجهاز في ضوء النهار أو عند وجود إضاءة اصطناعية جيدة فقط. ● لا تستخدم الجهاز على العشب الرطب أو تحت المطر. ● حافظ على مسافة لا تقل عن 15 م تفصلك عن الأشخاص والحيوانات. قم بإيقاف الجهاز إذا اقترب أحد في هذا المجال. ● حافظ على أن تكون أداة القطع تحت ارتفاع الخصر. ● لا تستخدم الجهاز أبداً عندما لا تكون تجهيزات الحماية مركبة أو تالفة. ● لا تستخدم خيوط القطع المعدنية أبداً. ● استخدم الجهاز في النطاق الخارجي فقط. ● ابعيد اليدين والقدمين من سطح العمل المراد قطعه، وخاصة إذا عند تشغيل المحرك. ● خطر الإصابة، سمر أداة القطع بالدوران بعد إيقاف المحرك. ● خطر الإصابة، الشفرة الموجهة بغطاء الحماية لتقصير خيوط القطع حادة للغاية، لذلك تجنب أي احتكاك وخاصة عند التنظيف. ● تأكد من أن فتحات التهوية خالية من الترسبات.

● تحقق من عدم وجود تلفيات في الجهاز قبل كل استخدام وبعد كل ضربة. الأجزاء التالفة، على سبيل المثال يجب إصلاح أو تغيير المفتاح من قبل خدمة العملاء المعتمدة. ● تأكد من أن رأس المحرك مركب ومثبت بشكل صحيح. ● تأكد من أن جميع تجهيزات الحماية، الحوافر والمقابض سليمة ومثبتة بشكل آمن. ● تأكد قبل كل استخدام من أن قاطع الخيوط مركب بشكل صحيح وموتم. ● استخدم خيوط القطع البديلة من الجهة الصانعة فقط. لا تستخدم أي مرفق آخر للقطع. ● خطر الإصابة. عدم إجراء أي تعديل على الجهاز.

إرشاد ● يمكن في بعض المناطق أن تقيّد اللوائح استخدام هذا الجهاز. عليك الحصول على استشارة من قبل الدوائر المحلية.



THANK YOU!
MERCI! DANKE! ¡GRACIAS!



Registrieren Sie Ihr Produkt und profitieren Sie von vielen Vorteilen.

Register your product and benefit from many advantages.

Enregistrez votre produit et bénéficiez de nombreux avantages.

Registre su producto y aproveche de muchas ventajas.

www.kaercher.com/welcome



Bewerten Sie Ihr Produkt und sagen Sie uns Ihre Meinung.

Rate your product and tell us your opinion.

Évaluer votre produit et dites-nous votre opinion.

Reseñe su producto y díganos su opinión.



www.kaercher.com/dealersearch

Alfred Kärcher SE & Co. KG
Alfred-Kärcher-Str. 28-40
71364 Winnenden (Germany)
Tel.: +49 7195 14-0
Fax: +49 7195 14-2212

